

Apparatus Castors with Plate, Rubber Bandage TPE, Light Design

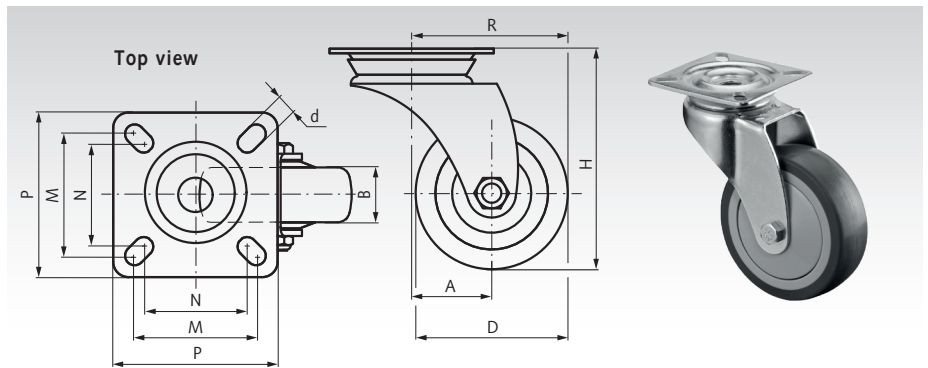
Swivel Castors

Material: Fork: steel plate, zinc-plated.
Tread: thermoplastic rubber, grey.
Wheel body: plastic, screwed.
Wheel mounting: ball bearing.
Swivel bearing: double ball wreath.

For indoor use. Low-noise operation with low rolling and swivelling resistance. Non-marking. The tread is slightly oily and can cause contact discolouration on sensitive surfaces.

Temperature range: -20°C to +60°C.

Ordering Details: e.g.: Product No. 777 100 50,
Swivel castor, TPE light, D 50 mm



Product No.	D mm	B mm	H mm	A mm	R mm	d mm	P mm	M mm	N mm	Load capacity kg	Weight kg
777 100 50	50	20	73	26	51	6,3	54	40	34	50	0,20
777 100 75	75	25	103	38	75,5	6,3	60	48	38	60	0,28

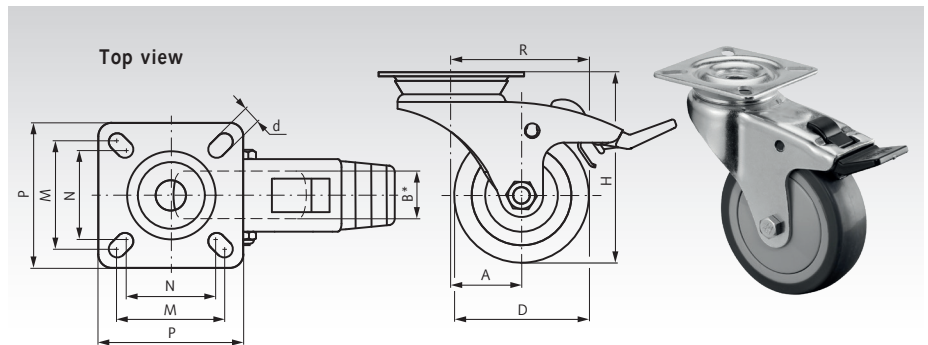
Swivel Castors with Brake

Material: Fork: steel plate, zinc-plated.
Tread: thermoplastic rubber, grey.
Wheel body: plastic, screwed.
Wheel mounting: ball bearing.
Swivel bearing: double ball wreath.

For indoor use. Low-noise operation with low rolling and swivelling resistance. Non-marking. The tread is slightly oily and can cause contact discolouration on sensitive surfaces.

Temperature range: -20°C to +60°C.

Ordering Details: e.g.: Product No. 777 110 50,
Swivel castor with brake, TPE light, D 50 mm



Product No.	D mm	B mm	H mm	A mm	R mm	d mm	P mm	M mm	N mm	Load capacity kg	Weight kg
777 110 50	50	20	73	26	51	6,3	54	40	34	50	0,20
777 110 75	75	25	103	38	75,5	6,3	60	48	38	60	0,33

* Width of the castor.

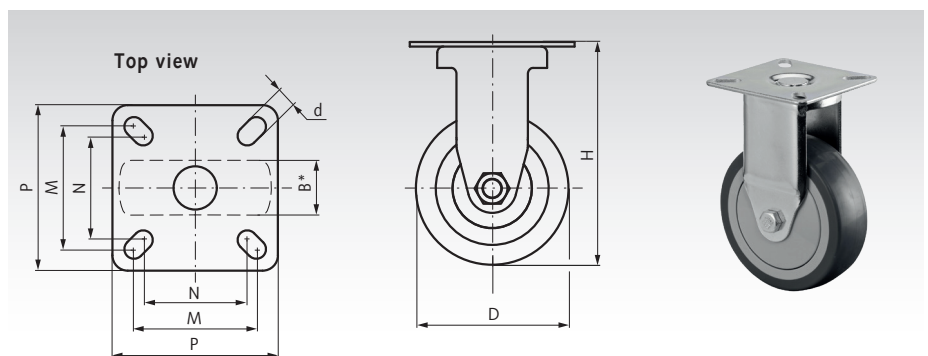
Fixed Castors

Material: Fork: steel plate, zinc-plated.
Tread: thermoplastic rubber, grey.
Wheel body: plastic, screwed.
Wheel mounting: ball bearing.

For indoor use. Low-noise operation with low rolling and swivelling resistance. Non-marking. The tread is slightly oily and can cause contact discolouration on sensitive surfaces.

Temperature range: -20°C to +60°C.

Ordering Details: e.g.: Product No. 777 120 50,
Fixed castor, TPE light, D 50 mm



Product No.	D mm	B mm	H mm	d mm	P mm	M mm	N mm	Load capacity kg	Weight kg
777 120 50	50	20	73	6,3	54	40	34	50	0,13
777 120 75	75	25	103	6,3	60	48	38	60	0,23

* Width of the castor