

## Apparatus Castors with back Hole, Rubber Bandage TPE, Light Design

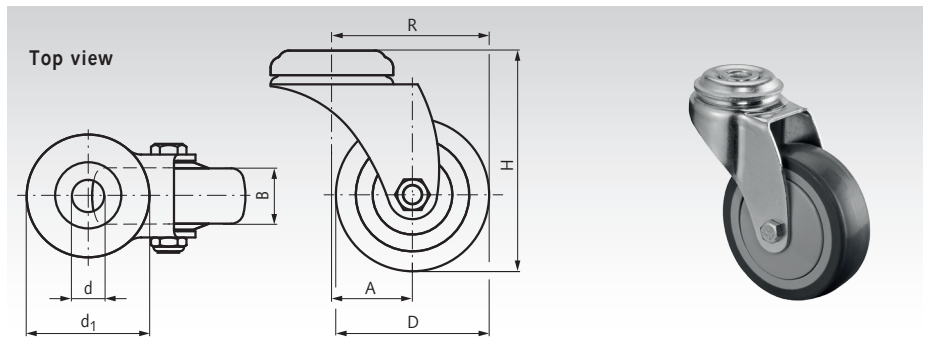
### Swivel Castors

**Material:** Fork: steel plate, zinc-plated.  
Tread: thermoplastic rubber, grey.  
Wheel body: plastic, screwed.  
Wheel mounting: ball bearing.  
Swivel bearing: double ball wreath.

For indoor use. Low-noise operation with low rolling and swivelling resistance. Non-marking. The tread is slightly oily and can cause contact discolouration on sensitive surfaces.

**Temperature range:** -20°C to +60°C.

Ordering Details: e.g.: Product No. 777 130 50,  
Swivel castor, TPE light, D 50 mm



Product No.	D mm	B mm	H mm	A mm	R mm	d mm	d <sub>1</sub> mm	Load capacity kg	Weight kg
777 130 50	50	20	73	26	51	10,2	38,1	50	0,14
777 130 75	75	25	103	38	75,5	10,2	43,2	60	0,26

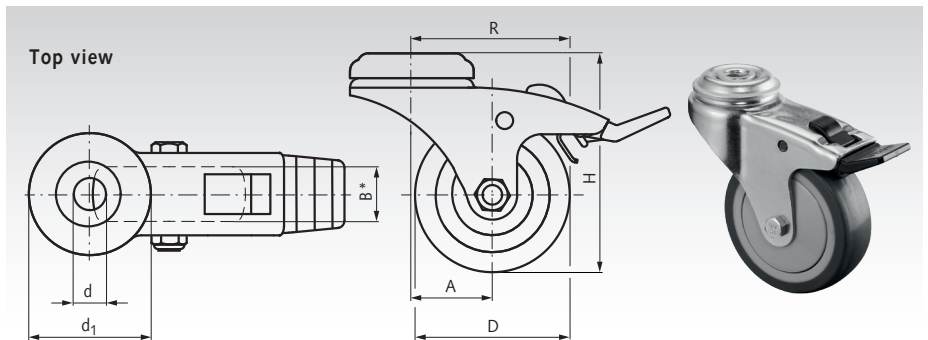
### Swivel Castors with Brake

**Material:** Fork: steel plate, zinc-plated.  
Tread: thermoplastic rubber, grey.  
Wheel body: plastic, screwed.  
Wheel mounting: ball bearing.  
Swivel bearing: double ball wreath.

For indoor use. Low-noise operation with low rolling and swivelling resistance. Non-marking. The tread is slightly oily and can cause contact discolouration on sensitive surfaces.

**Temperature range:** -20°C to +60°C.

Ordering Details: e.g.: Product No. 777 140 50,  
Swivel castor with brake, TPE light, D 50 mm



Product No.	D mm	B mm	H mm	A mm	R mm	d mm	d <sub>1</sub> mm	Load capacity kg	Weight kg
777 140 50	50	20	73	26	51	10,2	38,1	50	0,26
777 140 75	75	25	103	38	75,5	10,2	43,2	60	0,30

\* Width of the castor