

Apparatus Castors with Plate, Rubber Bandage TPE, Heavy Design

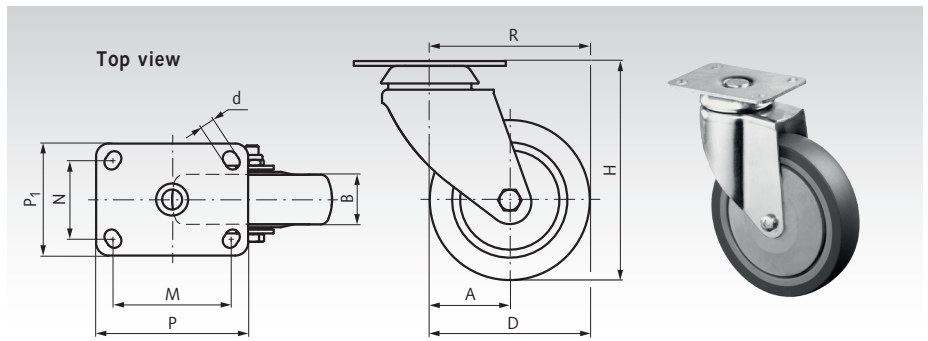
Swivel Castors

Material: Fork: steel plate, zinc-plated.
Tread: thermoplastic rubber, grey.
Wheel body: plastic, screwed.
Wheel mounting: ball bearing.
Swivel bearing: double ball wreath.

For indoor use. Low-noise operation with low rolling and swivelling resistance. Non-marking. The tread is slightly oily and can cause contact discolouration on sensitive surfaces.

Temperature range: -20°C to +60°C.

Ordering Details: e.g.: Product No. 777 151 00,
Swivel castor, TPE heavy, D 100 mm



Product No.	D mm	B mm	H mm	A mm	R mm	d mm	P mm	P ₁ mm	M mm	N mm	Load capacity kg	Weight kg
777 151 00	100	30	137	42	92	9	95	70	75	45	80	0,80
777 151 25	125	31	162,5	44	106,5	9	95	70	75	45	100	0,85

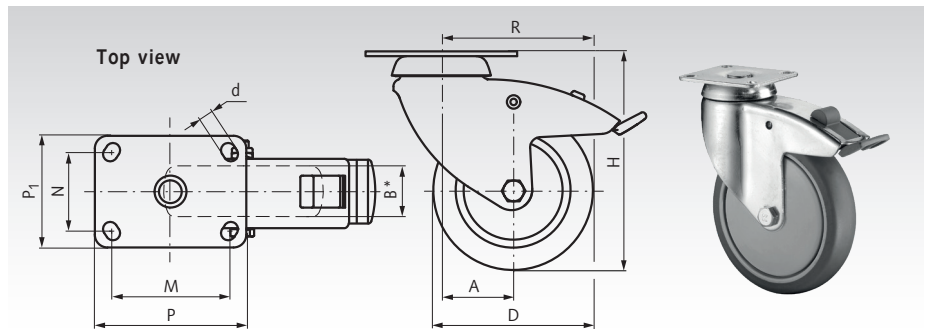
Swivel Castors with Brake

Material: Fork: steel plate, zinc-plated.
Tread: thermoplastic rubber, grey.
Wheel body: plastic, screwed.
Wheel mounting: ball bearing.
Swivel bearing: double ball wreath.

For indoor use. Low-noise operation with low rolling and swivelling resistance. Non-marking. The tread is slightly oily and can cause contact discolouration on sensitive surfaces.

Temperature range: -20°C to +60°C.

Ordering Details: e.g.: Product No. 777 161 00,
Swivel castor with brake, TPE heavy, D 100 mm



Product No.	D mm	B mm	H mm	A mm	R mm	d mm	P mm	P ₁ mm	M mm	N mm	Load capacity kg	Weight kg
777 161 00	100	30	137	42	92	9	95	70	75	45	80	0,85
777 161 25	125	31	162,5	44	106,5	9	95	70	75	45	100	0,90

* Width of the castor.

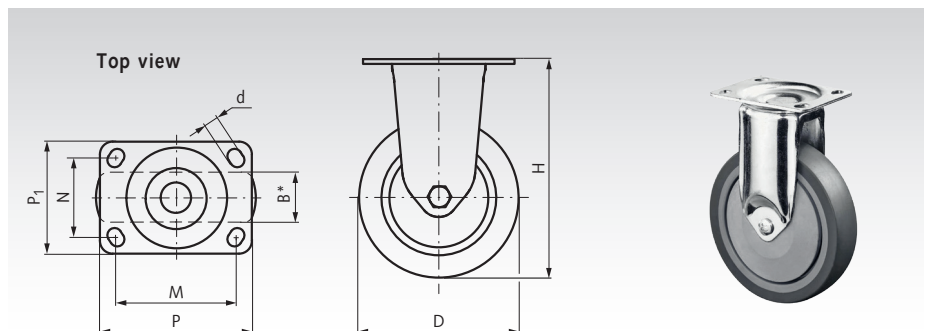
Fixed Castors

Material: Fork: steel plate, zinc-plated.
Tread: thermoplastic rubber, grey.
Wheel body: plastic, screwed.
Wheel mounting: ball bearing.

For indoor use. Low-noise operation with low rolling and swivelling resistance. Non-marking. The tread is slightly oily and can cause contact discolouration on sensitive surfaces.

Temperature range: -20°C to +60°C.

Ordering Details: e.g.: Product No. 777 171 00,
Fixed castor, TPE heavy, D 100 mm



Product No.	D mm	B mm	H mm	d mm	P mm	P ₁ mm	M mm	N mm	Load capacity kg	Weight kg
777 171 00	100	30	137	9	95	70	75	45	80	0,60
777 171 25	125	31	162,5	9	95	70	75	45	100	0,65

* Width of the castor.