

Apparatus Castors with Plate, TPE Rubber Bandage, Double Swivel Castors

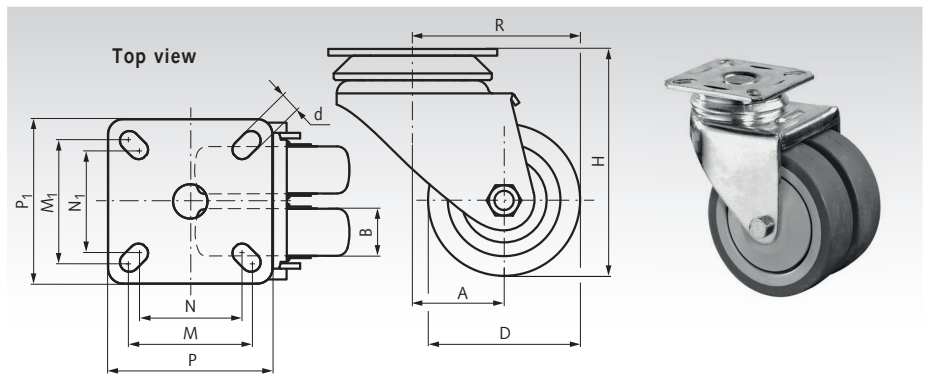
Swivel Castors

Material: Fork: steel plate, zinc-plated.
Tread: thermoplastic rubber, grey.
Wheel body: plastic, screwed.
Wheel mounting: ball bearing.
Swivel bearing: double ball wreath.

For indoor use. Low-noise operation with low rolling and swivelling resistance. Non-marking. The tread is slightly oily and can cause contact discolouration on sensitive surfaces.

Temperature range: -20°C to +60°C.

Ordering Details: e.g.: Product No. 777 180 50,
Double swivel castor, TPE, D 50 mm



Product No.	D mm	B mm	H mm	A mm	R mm	d mm	P mm	P ₁ mm	M mm	M ₁ mm	N mm	N ₁ mm	Load capacity kg	Weight kg
777 180 50	50	18	75	36	61	6,2	60	60	46	46	38	38	60	0,34
777 180 75	75	24	102	33	70,5	8,3	77	67	62	52	50	42	80	0,56

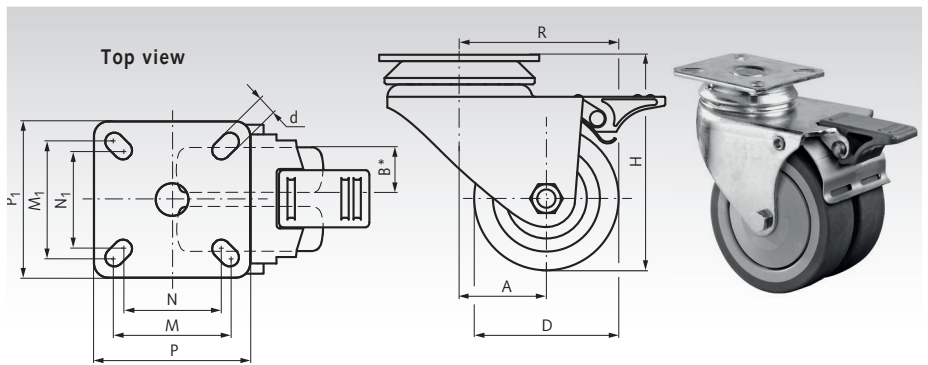
Swivel Castors with Brake

Material: Fork: steel plate, zinc-plated.
Tread: thermoplastic rubber, grey.
Wheel body: plastic, screwed.
Wheel mounting: ball bearing.
Swivel bearing: double ball wreath.

For indoor use. Low-noise operation with low rolling and swivelling resistance. Non-marking. The tread is slightly oily and can cause contact discolouration on sensitive surfaces.

Temperature range: -20°C to +60°C.

Ordering Details: e.g.: Product No. 777 190 50,
Double swivel castor with brake, TPE, D 50 mm



Product No.	D mm	B mm	H mm	A mm	R mm	d mm	P mm	P ₁ mm	M mm	M ₁ mm	N mm	N ₁ mm	Load capacity kg	Weight kg
777 190 50	50	18	75	36	61	6,2	60	60	46	46	38	38	60	0,40
777 190 75	75	24	102	33	70,5	8,3	77	67	62	52	50	42	80	0,66

* Width of wheel.