

Transport Castors with Plate, Plastic Wheel white

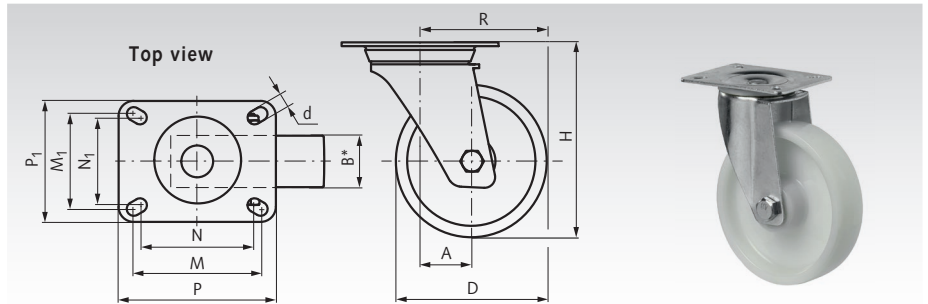
Swivel Castors

Material: Fork: steel plate, zinc-plated.
Tread / Wheel body: Plastic
Polyamide, cast in one piece, screwed.
Wheel mounting: roller bearing.
Swivel bearing: double ball wreath.
For indoor and outdoor use. Largely resistant to salt, grease, acids and alkalis. No markings and very abrasion resistant.

Temperature range: -20°C to +80°C (short-term -40°C to +100°C).

From +35°C the load-bearing capacity decreases.

Ordering Details: e.g.: Product No. 777 210 80, Swivel castor, Polyamide, D 80 mm



Product No.	D mm	B mm	H mm	A mm	R mm	d mm	P mm	P ₁ mm	M mm	M ₁ mm	N mm	N ₁ mm	Load capacity kg	Weight kg
777 210 80	80	30	105	34	74	9	104	80	84	64	76	56	125	0,52
777 211 00	100	32	128	34	84	9	104	80	84	64	76	56	125	0,60
777 211 25	125	35	155	34	96,5	9	104	80	84	64	76	56	175	0,70
777 211 50	150	45	190	48	123	12	135	110	105	80	100	75	300	1,60
777 212 00	200	50	235	58	158	12	135	110	105	80	100	75	300	1,88

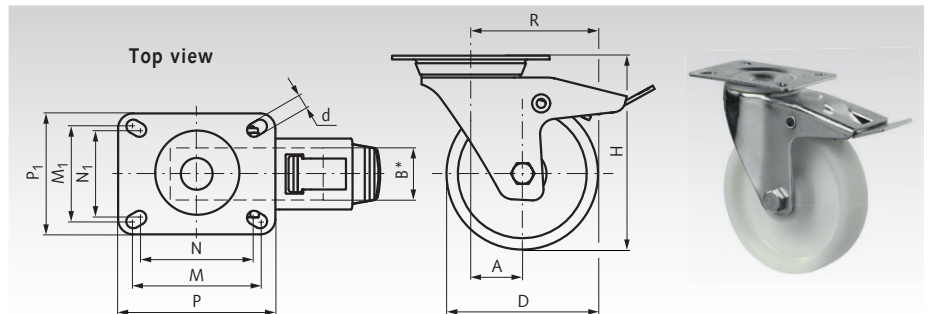
Swivel Castors with Brake

Material: Fork: steel plate, zinc-plated.
Tread / Wheel body: Plastic
Polyamide, cast in one piece, screwed.
Wheel mounting: roller bearing.
Swivel bearing: double ball wreath.
For indoor and outdoor use. Largely resistant to salt, grease, acids and alkalis. No markings and very abrasion resistant.

Temperature range: -20°C to +80°C (short-term -40°C to +100°C).

From +35°C the load-bearing capacity decreases.

Ordering Details: e.g.: Product No. 777 220 80, Swivel castor with brake, Polyamide, D 80 mm



Product No.	D mm	B mm	H mm	A mm	R mm	d mm	P mm	P ₁ mm	M mm	M ₁ mm	N mm	N ₁ mm	Load capacity kg	Weight kg
777 220 80	80	30	105	34	74	9	104	80	84	64	76	56	125	0,80
777 221 00	100	32	128	34	84	9	104	80	84	64	76	56	125	0,80
777 221 25	125	35	155	34	96,5	9	104	80	84	64	76	56	175	1,04
777 221 50	150	45	190	48	123	12	135	110	105	80	100	75	300	2,12
777 222 00	200	50	235	58	158	12	135	110	105	80	100	75	300	2,60

Fixed Castors

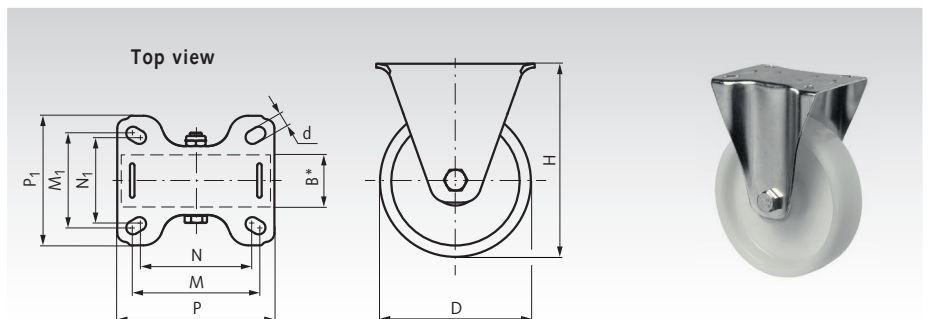
Material: Fork: steel plate, zinc-plated.
Tread / Wheel body: Plastic
Polyamide, cast in one piece, screwed.
Wheel mounting: roller bearing.

For indoor and outdoor use. Largely resistant to salt, grease, acids and alkalis. No markings and very abrasion resistant.

Temperature range: -20°C to +80°C (short-term -40°C to +100°C).

From +35°C the load-bearing capacity decreases.

Ordering Details: e.g.: Product No. 777 230 80, Fixed castor, Polyamide, D 80 mm



Product No.	D mm	B mm	H mm	d mm	P mm	P ₁ mm	M mm	M ₁ mm	N mm	N ₁ mm	Load capacity kg	Weight kg
777 230 80	80	30	105	9	104	86	84	64	76	56	125	0,36
777 231 00	100	32	128	9	104	86	84	64	76	56	125	0,42
777 231 25	125	35	155	9	104	86	84	64	76	56	175	0,58
777 231 50	150	45	190	12	135	110	105	80	100	75	300	1,26
777 232 00	200	50	235	12	135	110	105	80	100	75	300	1,60

* Width of wheel.