

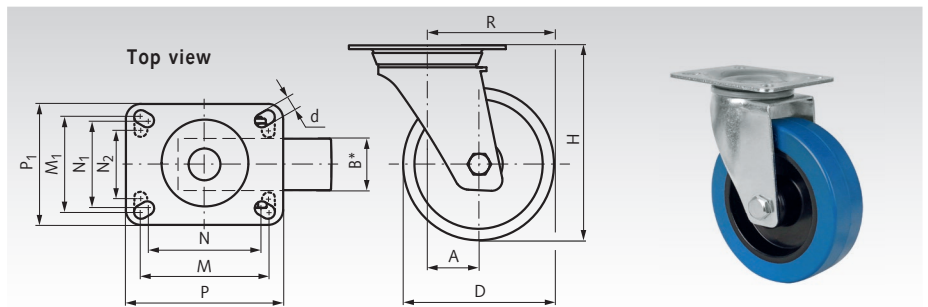
## Transport Castors with Plate, elastic solid Rubber Wheel blue

### Swivel Castors

**Material:** Fork: steel plate, zinc-plated.  
Tread: elastic rubber, blue.  
Wheel body: plastic, black, screwed.  
Wheel mounting: roller bearing.  
Swivel bearing: double ball wreath.  
For indoor and outdoor use. Excellent driving and operating comfort. Gentle on the floor and extremely abrasion resistant (non-marking).

**Temperature range:** -20°C to +60°C.

**Ordering Details:** e.g.: Product No. 777 411 00,  
Swivel castor, elastic rubber blue, D 100 mm



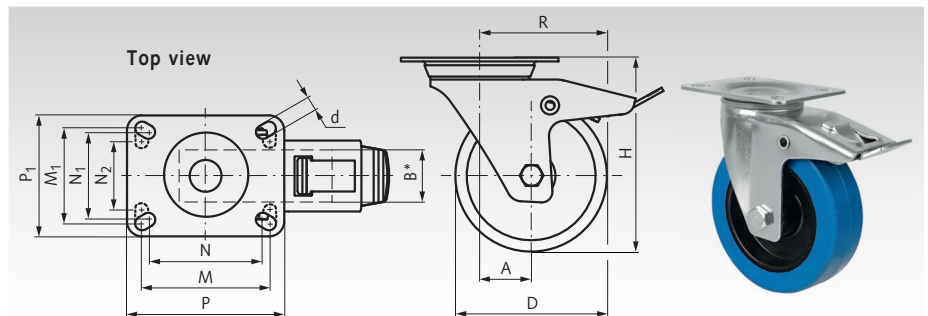
Product No.	D mm	B mm	H mm	A mm	R mm	d mm	P mm	P <sub>1</sub> mm	M mm	M <sub>1</sub> mm	N mm	N <sub>1</sub> mm	N <sub>2</sub> mm	Load capacity kg	Weight kg
777 411 00**	100	36	128	34	84	9	102	84	80	60	70	50	-	140	0,86
777 411 25	125	36	155	34	96,5	9	102	84	80	60	70	50	-	140	1,20
777 411 60	160	45	195	48	128	11	135	114	105	80	-	-	75	300	2,20
777 412 00	200	45	235	58	158	11	135	114	105	80	-	-	75	350	2,66

### Swivel Castors with Brake

**Material:** Fork: steel plate, zinc-plated.  
Tread: elastic rubber, blue.  
Wheel body: plastic, black, screwed.  
Wheel mounting: roller bearing.  
Swivel bearing: double ball wreath.  
For indoor and outdoor use. Excellent driving and operating comfort. Gentle on the floor and extremely abrasion resistant (non-marking).

**Temperature range:** -20°C to +60°C.

**Ordering Details:** e.g.: Product No. 777 421 00,  
Swivel castor with brake, elastic rubber blue, D 100 mm



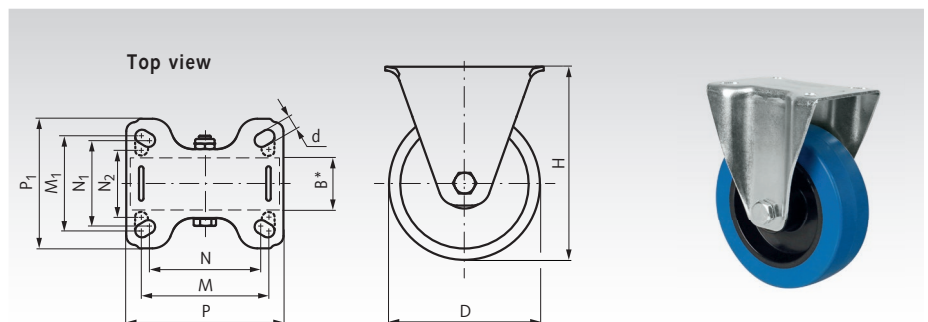
Product No.	D mm	B mm	H mm	A mm	R mm	d mm	P mm	P <sub>1</sub> mm	M mm	M <sub>1</sub> mm	N mm	N <sub>1</sub> mm	N <sub>2</sub> mm	Load capacity kg	Weight kg
777 421 00**	100	36	128	34	84	9	102	84	80	60	70	50	-	140	1,10
777 421 25	125	36	155	34	96,5	9	102	84	80	60	70	50	-	140	1,40
777 421 60	160	45	195	48	128	11	135	114	105	80	-	-	75	300	2,80
777 422 00	200	45	235	58	158	11	135	114	105	80	-	-	75	350	3,30

### Fixed Castors

**Material:** Fork: steel plate, zinc-plated.  
Tread: elastic rubber, blue.  
Wheel body: plastic, black, screwed.  
Wheel mounting: roller bearing.  
For indoor and outdoor use. Excellent driving and operating comfort. Gentle on the floor and extremely abrasion resistant (non-marking).

**Temperature range:** -20°C to +60°C.

**Ordering Details:** e.g.: Product No. 777 431 00,  
Fixed castor, elastic rubber blue, D 100 mm



Product No.	D mm	B mm	H mm	d mm	P mm	P <sub>1</sub> mm	M mm	M <sub>1</sub> mm	N mm	N <sub>1</sub> mm	N <sub>2</sub> mm	Load capacity kg	Weight kg
777 431 00**	100	36	128	9	101	84	80	60	70	50	-	140	0,73
777 431 25	125	36	155	9	104	80	80	60	70	50	-	140	0,95
777 431 60	160	45	195	11	135	114	105	80	-	-	75	300	1,85
777 432 00	200	45	235	11	135	114	105	80	-	-	75	350	2,40

\* Width of wheel. \*\* Size 100 with thread guard.