

## Transport Castors with Plate, elastic solid Rubber Wheel black

### Swivel Castors

**Material:** Fork: steel plate, zinc-plated.

Tread: elastic rubber, black.

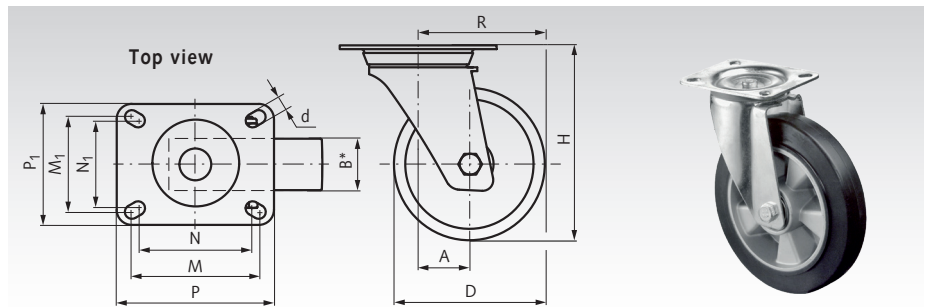
Wheel body: aluminium, screwed.

Wheel mounting: ball bearing.

Swivel bearing: double ball wreath.

For indoor and outdoor use. Excellent driving and operating comfort. Gentle on the floor and abrasion-resistant.

**Temperature range:** -20°C to +80°C.



Ordering Details: e.g.: Product No. 777 511 00,  
Swivel castor, elastic rubber black, D 100 mm

Product No.	D mm	B mm	H mm	A mm	R mm	d mm	P mm	P <sub>1</sub> mm	M mm	M <sub>1</sub> mm	N mm	N <sub>1</sub> mm	Load capacity kg	Weight kg
777 511 00	100	40	128	34	84	9	104	80	84	64	76	56	150	0,95
777 511 25	125	40	157	36	98,5	9**	105	85	80	60	-	-	200	1,50
777 511 60	160	50	195	48	128	12	135	110	105	80	100	75	300	2,60
777 512 00	200	50	235	57	157	12	135	110	105	80	100	75	350	2,64

### Swivel Castors with Brake

**Material:** Fork: steel plate, zinc-plated.

Tread: elastic rubber, black.

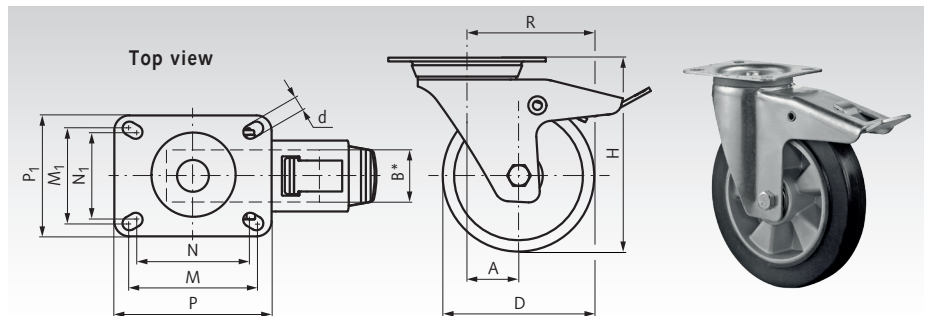
Wheel body: aluminium, screwed.

Wheel mounting: ball bearing.

Swivel bearing: double ball wreath.

For indoor and outdoor use. Excellent driving and operating comfort. Gentle on the floor and abrasion-resistant.

**Temperature range:** -20°C to +80°C.



Ordering Details: e.g.: Product No. 777 521 00,  
Swivel castor with brake, elastic rubber black, D 100 mm

Product No.	D mm	B mm	H mm	A mm	R mm	d mm	P mm	P <sub>1</sub> mm	M mm	M <sub>1</sub> mm	N mm	N <sub>1</sub> mm	Load capacity kg	Weight kg
777 521 00	100	40	128	34	84	9	104	80	84	64	76	56	150	1,22
777 521 25	125	40	157	36	98,5	9**	105	85	80	60	-	-	200	1,85
777 521 60	160	50	195	48	128	12	135	110	105	80	100	75	300	2,95
777 522 00	200	50	235	57	157	12	135	110	105	80	100	75	350	3,55

### Fixed Castors

**Material:** Fork: steel plate, zinc-plated.

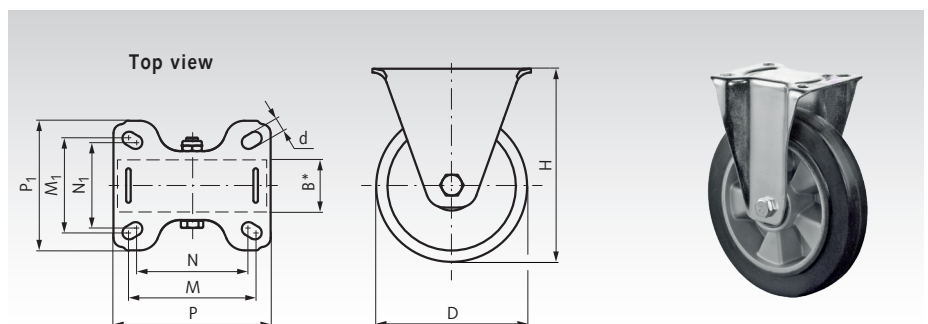
Tread: elastic rubber, black.

Wheel body: aluminium, screwed.

Wheel mounting: ball bearing.

For indoor and outdoor use. Excellent driving and operating comfort. Gentle on the floor and abrasion-resistant.

**Temperature range:** -20°C to +80°C.



Ordering Details: e.g.: Product No. 777 531 00,  
Fixed castor, elastic rubber black, D 100 mm

Product No.	D mm	B mm	H mm	d mm	P mm	P <sub>1</sub> mm	M mm	M <sub>1</sub> mm	N mm	N <sub>1</sub> mm	Load capacity kg	Weight kg
777 531 00	100	40	128	9	105	86	84	64	76	56	150	0,80
777 531 25	125	40	157	9**	105	85	80	60	-	-	200	1,25
777 531 60	160	50	195	12	135	110	105	80	100	75	300	2,15
777 532 00	200	50	235	12	135	110	105	80	100	75	350	2,80

\* Width of wheel. \*\* No long hole, bore with Ø d.