

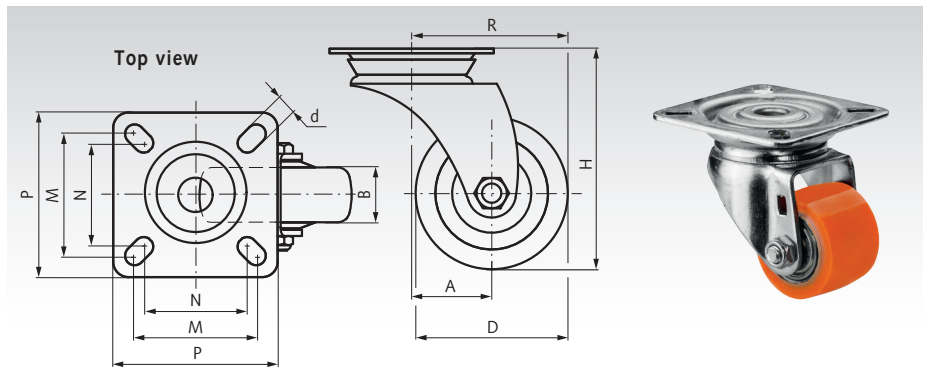
Compact Castors with Plate, TPU Wheel

Swivel Castor

Material: Fork: steel plate, zinc-plated.
Tread: TPU, thermoplastic polyurethane 90 +/-3° Shore A.
Wheel body: steel, screwed.
Wheel mounting: ball bearing.
Swivel bearing: double ball wreath.
For indoor use. Suitable for high loads.
Non-marking and abrasion resistant. Good resistance to oil, grease, petrol and chemicals.

Temperature range: -20°C to +70°C.

Ordering Details: e.g.: Product No. 777 710 35,
Swivel castor, compact, D 35 mm



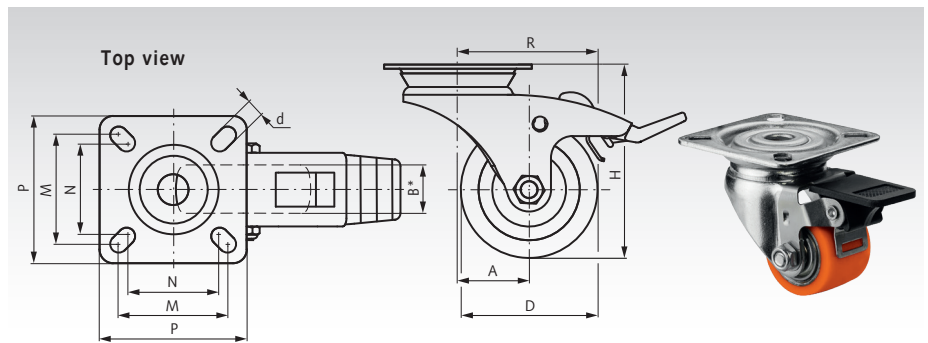
Product No.	D mm	B mm	H mm	A mm	R mm	d mm	P mm	M mm	N mm	Load capacity kg	Weight kg
777 710 35	35	25	58	20	37,5	7	60	48	38	100	0,22

Swivel Castor with Brake

Material: Fork: steel plate, zinc-plated.
Tread: TPU, thermoplastic polyurethane 90 +/-3° Shore A.
Wheel body: steel, screwed.
Wheel mounting: ball bearing.
Swivel bearing: double ball wreath.
For indoor use. Suitable for high loads.
Non-marking and abrasion resistant. Good resistance to oil, grease, petrol and chemicals.

Temperature range: -20°C to +70°C.

Ordering Details: e.g.: Product No. 777 720 35,
Swivel castor with brake, compact, D 35 mm



Product No.	D mm	B mm	H mm	A mm	R mm	d mm	P mm	M mm	N mm	Load capacity kg	Weight kg
777 720 35	35	25	58	20	37,5	7	60	48	38	100	0,24

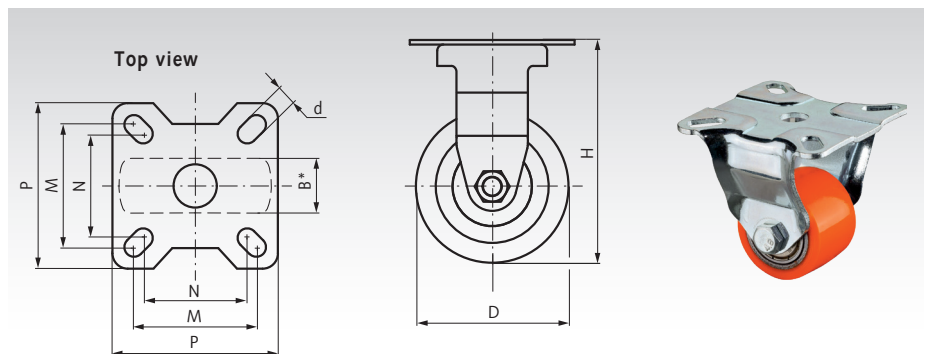
* Width of the castor.

Fixed Castor

Material: Fork: steel plate, zinc-plated.
Tread: TPU, thermoplastic polyurethane 90 +/-3° Shore A.
Wheel body: steel, screwed.
Wheel mounting: ball bearing.
For indoor use. Suitable for high loads.
Non-marking and abrasion resistant. Good resistance to oil, grease, petrol and chemicals.

Temperature range: -20°C to +70°C.

Ordering Details: e.g.: Product No. 777 730 35,
Fixed castor, compact, D 35 mm



Product No.	D mm	B mm	H mm	d mm	P mm	M mm	N mm	Load capacity kg	Weight kg
777 730 35	35	25	58	7	60	48	38	100	0,17

* Width of the castor.