

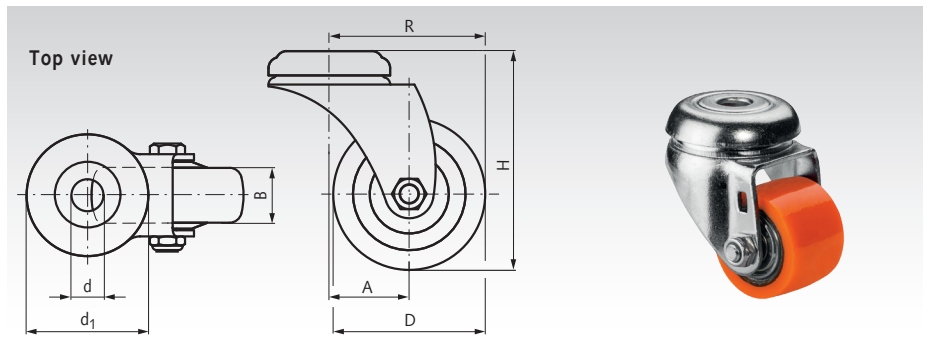
Compact Castors with back Hole, TPU Wheel

Swivel Castor

Material: Fork: steel plate, zinc-plated.
 Tread: TPU, thermoplastic polyurethane 90 +/-3° Shore A.
 Wheel body: steel, screwed.
 Wheel mounting: ball bearing.
 Swivel bearing: double ball wreath.
 For indoor use. Suitable for high loads.
 Non-marking and abrasion resistant. Good resistance to oil, grease, petrol and chemicals.

Temperature range: -20°C to +70°C.

Ordering Details: e.g.: Product No. 777 740 35 ,
 Swivel castor, compact, D 35 mm



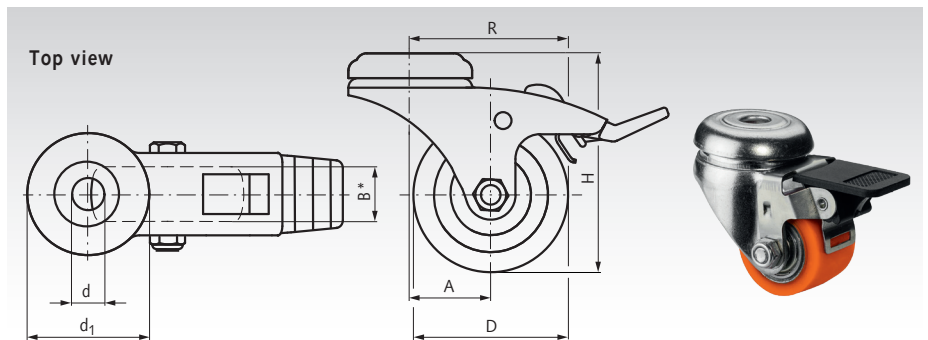
Product No.	D mm	B mm	H mm	A mm	R mm	d mm	d ₁ mm	Load capacity kg	Weight kg
777 740 35	35	25	58	20	37,5	11	44,7	100	0,20

Swivel Castor with Brake

Material: Fork: steel plate, zinc-plated.
 Tread: TPU, thermoplastic polyurethane 90 +/-3° Shore A.
 Wheel body: steel, screwed.
 Wheel mounting: ball bearing.
 Swivel bearing: double ball wreath.
 For indoor use. Suitable for high loads.
 Non-marking and abrasion resistant. Good resistance to oil, grease, petrol and chemicals.

Temperature range: -20°C to +70°C.

Ordering Details: e.g.: Product No. 777 750 35,
 Swivel castor with brake, compact, D 35 mm



Product No.	D mm	B mm	H mm	A mm	R mm	d mm	d ₁ mm	Load capacity kg	Weight kg
777 750 35	35	25	58	20	37,5	11	44,7	100	0,21

* Width of the castor.