

## Steel Cylinder Conveyor Rollers

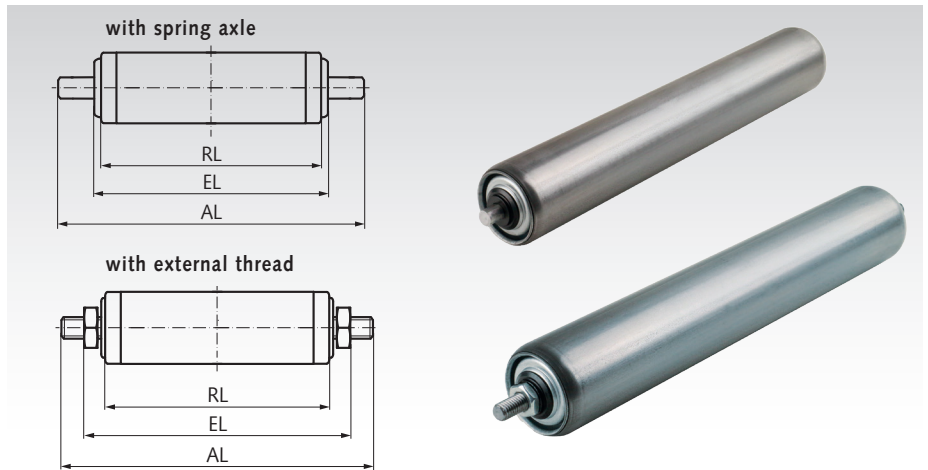
**Material:** Steel, bright or zinc-plated.

Optionally with spring axle or axle with external thread.

With standard ball bearings made of steel.

**On request:**

Other versions and axle variants are available, e.g. conveyor rollers with flanged sprocket.



Ordering Details: e.g.: Product No. 656 715 02, conveyor roller S1, bright, 50 x 200 mm

### Conveyor Rollers S1, Steel, with Spring Axle or external Thread

Product No. bright	Product No. zinc-plated	Castor- Ø mm	Pipe- wall thickness mm	Castor length RL mm	Fitting length EL mm	Axle length AL mm	Axle variant		Load capacity* kg	Weight kg
							Spring axle mm	External thread mm		
656 715 02	656 815 02	50	1,5	200	210	230	Ø10	-	150	0,67
656 715 03	656 815 03	50	1,5	300	310	330	Ø10	-	130	0,92
656 715 04	656 815 04	50	1,5	400	410	430	Ø10	-	80	1,12
656 715 05	-	50	1,5	500	510	530	Ø10	-	70	1,38
656 715 06	-	50	1,5	600	610	630	Ø10	-	40	1,65
656 725 02	656 825 02	50	1,5	200	220	250	-	M10	240	0,70
656 725 03	656 825 03	50	1,5	300	320	350	-	M10	240	0,90
656 725 04	656 825 04	50	1,5	400	420	450	-	M10	240	1,14
656 725 05	656 825 05	50	1,5	500	520	550	-	M10	200	1,37
656 725 06	-	50	1,5	600	620	650	-	M10	130	1,63
656 726 02	-	60	1,5	200	222	252	-	M12	240	0,87
656 726 03	656 826 03	60	1,5	300	322	352	-	M12	240	1,16
656 726 04	656 826 04	60	1,5	400	422	452	-	M12	240	1,74
656 726 05	656 826 05	60	1,5	500	522	552	-	M12	240	1,75
656 726 06	656 826 06	60	1,5	600	622	652	-	M12	240	2,10
656 728 02	-	80	2	200	222	252	-	M12	240	1,22
656 728 03	-	80	2	300	322	352	-	M12	240	1,66
656 728 04	-	80	2	400	422	452	-	M12	240	2,03
656 728 05	-	80	2	500	522	552	-	M12	240	2,56
656 728 06	-	80	2	600	622	652	-	M12	240	3,01

\*The load capacity is understood to be the surface load for installation in non-driven roller conveyors.

Conveyor roller bearing S1:

