

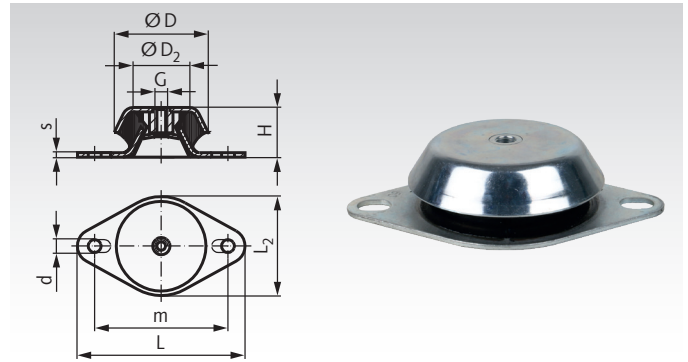
Machine Mounts, Failsafe, with oval Flange

Material:

Elastomer: Natural rubber 62° +/-5° Shore A.

Metal parts: Steel, quality 5.6, zinc-plated.

Failsafe machine mounts can be universally used as elastic mounts for all kind of machines. Especially if tensile forces can be expected, these failsafe mounts are the perfect choice of damping element.



Ordering Details: e.g.: Product No. 685 940 00, Machine Mount, failsafe, 48mm

Product No.	D mm	D ₂ mm	d mm	G mm	H mm	L mm	L ₂ mm	m mm	s mm	CD _{middle} ¹⁾ N/mm	F _{perm.} ²⁾ N	Travel mm	Weight kg
685 940 00	48	38	6,2	M8	23	81	50	68	1,5	1250	1250	1,0	0,10
685 945 00	60	46	8,3 x 16	M10	31	106	60	75 - 90	3	2500	3750	1,5	0,23
685 950 00	77	59	9	M10	30	128	77	110	2	2500	5000	2,0	0,52
685 952 00	82	64	11	M10	35	128	82	110	3	3500	7000	2,0	0,41
685 955 00	92	73,5	10,5	M12	45	138	95	110	3	3300	8250	2,5	0,62
685 960 00	106	81	14 x 18	M12	38	172	108	138 - 146	3	4100	10250	2,5	0,66
685 965 00	108	83	16,5	M16	50	190	112	160	5	3200	9600	3,0	1,26
685 970 00	121	92	13,5	M16	42	188	122	158	3	3400	10200	3,0	0,98
685 975 00	144	120	14 x 18	M16	48	216	144	186	4	3600	13650	3,8	1,62

¹⁾ Spring Load.

²⁾ Permissible permanent static load. No damping for tensile load.

The stated values are guideline values for the static load at durometer of 62° Shore A (medium), +/- 20%.

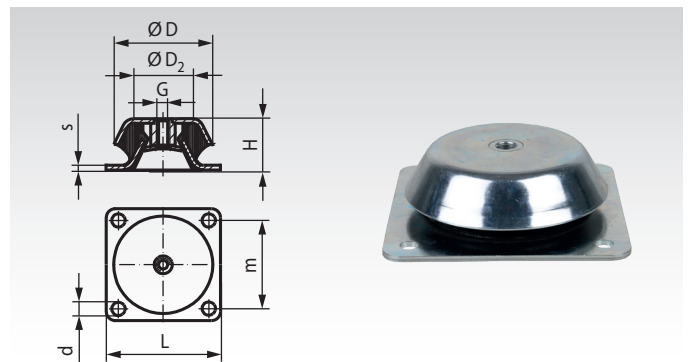
Machine Mounts, Failsafe, with square Flange

Material:

Elastomer: Natural rubber 62° +/-5° Shore A.

Metal parts: Steel, quality 5.6, zinc-plated.

Failsafe machine mounts can be universally used as elastic mounts for all kind of machines. Especially if tensile forces can be expected, these failsafe mounts are the perfect choice of damping element.



Ordering Details: e.g.: Product No. 685 980 00, Machine Mount, failsafe, 101mm

Product No.	D mm	D ₂ mm	d mm	G mm	H mm	L mm	m mm	s mm	CD _{middle} ¹⁾ N/mm	F _{perm.} ²⁾ N	Travel mm	Weight kg
685 980 00	101	60	9	M12	40	108	88	3	2000	5000	2,5	0,67
685 985 00	150	110	12,5	M16	51,5	168	132	4	5200	13000	2,5	2,04
685 990 00	177	125	13	M20	63	184	150	4,5	4800	16800	3,5	3,10
685 995 00	192	150	13	M20	70	200	165	6	5200	18200	3,5	4,45

¹⁾ Spring Load.

²⁾ Permissible permanent static load. No damping for tensile load.

The stated values are guideline values for the static load at durometer of 62° Shore A (medium), +/- 20%.