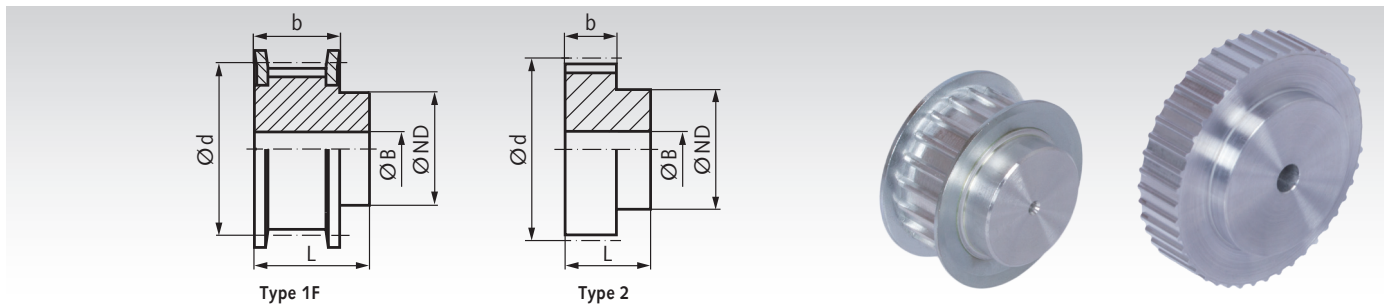


AT Pulleys, Pitch 10 mm Made from Aluminium

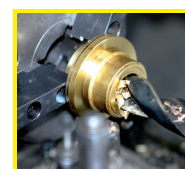


Material: Aluminium similar to EN AW2017A. Flanges zinc-plated steel.

Ordering Details: e.g.: Product No. 168 115 00, Pulley, Pitch AT 10, 15 Teeth, Timing Belt Width 40 mm

Profile AT 10, Timing Belt Width 40 mm

Product No. Belt Width 40 mm	Type	Number of teeth	Type	Outside Ø		d mm	ND mm	b mm	L mm	Pilot Hole B mm	Weight g
				Pulley mm	Flange mm						
168 115 00	55 AT10/15-2	15	1F	45,93	51	47,75	32	45	55	8	228
168 116 00	55 AT10/16-2	16	1F	49,11	54	50,93	35	45	55	8	244
168 117 00	55 AT10/17-2	17	1F	52,29	57	54,11	40	45	55	8	274
168 118 00	55 AT10/18-2	18	1F	55,48	60	57,30	40	45	55	10	276
168 119 00	55 AT10/19-2	19	1F	58,66	66	60,48	44	45	55	10	333
168 120 00	55 AT10/20-2	20	1F	61,84	66	63,66	46	45	55	12	364
168 122 00	55 AT10/22-2	22	1F	68,21	75	70,03	52	45	55	12	443
168 124 00	55 AT10/24-2	24	1F	74,57	83	76,39	58	45	55	12	548
168 125 00	55 AT10/25-2	25	1F	77,76	83	79,58	60	45	55	12	638
168 126 00	55 AT10/26-2	26	1F	80,94	87	82,76	60	45	55	12	643
168 127 00	55 AT10/27-2	27	1F	84,12	91	85,94	60	45	55	12	664
168 128 00	55 AT10/28-2	28	1F	87,31	93	89,13	60	45	55	12	740
168 130 00	55 AT10/30-2	30	1F	93,67	97	95,49	60	45	55	12	840
168 132 00	55 AT10/32-2	32	1F	100,04	106	101,86	65	45	55	12	987
168 136 00	55 AT10/36-2	36	1F	112,77	119	114,59	70	45	55	16	1245
168 140 00	55 AT10/40-2	40	1F	125,50	131	127,32	80	45	55	16	1575
168 144 00	55 AT10/44-0	44	2	138,24	-	140,06	88	45	55	16	1870
168 148 00	55 AT10/48-0	48	2	150,97	-	152,79	95	45	55	16	2345
168 160 00	55 AT10/60-0	60	2	189,17	-	190,99	110	45	55	16	3660
168 172 00	55 AT10/72-0	72	2	227,36	-	229,18	140	45	55	16	5340
168 184 00	55 AT10/84-0	84	2	265,56	-	267,38	160	45	55	18	7265
168 196 00	55 AT10/96-0	96	2	303,76	-	305,58	180	45	55	18	9520



**Reworking within
24h-service possible.
Custom made parts
on request.**