

Adjusting Rings DIN 705 A, with Hexagon Socket Set Screw

Material: Steel, bright.

Steel, black oxide finish.

Steel, zinc-plated.

Stainless steel 1.4305 (AISI 303).



Light-duty series. With set screw made from steel, steel zinc-plated or stainless steel. Set screw with hexagon socket as in DIN EN ISO 4027 (formerly DIN 914), see note at the bottom. Up to size $d_1 = 70$ mm: Against DIN 705 A, with one screw with hexagon socket instead of slotted screw.

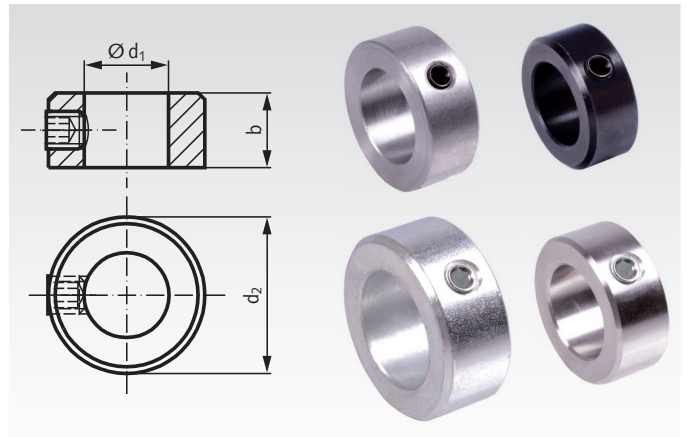
From size $d_1 = 75$ mm: As in DIN 705 A, with 2 screws with hexagon socket, with offset 135° .

Bright turned and kalibrated. Bores tolerance H8.

Large chamfer on one side of the outside diameter.

Temperature range: -40°C to $+175^\circ\text{C}$.

Ordering Details: e.g.: Product No. 623 003 006, Collar DIN 705 A with Hexagon Socket Screw, Bright, Bore 3 mm



Product No. Steel bright	Product No. Steel black oxidized	Product No. Steel zinc-plated	Product No. Stainless Steel	d_1 mm	d_2 mm	b mm	Screw mm	Weight kg/100 units
623 003 006	623 890 036	623 880 036	623 990 036	3	7	5	M2 x 3	0,123
623 004 006	623 890 046	623 880 046	623 990 046	4	8	5	M2,5 x 3	0,152
623 005 006	623 890 056	623 880 056	623 990 056	5	10	6	M3 x 4	0,280
623 006 006	623 890 066	623 880 066	623 990 066	6	12	8	M4 x 5	0,548
623 007 006	623 890 076	623 880 076	623 990 076	7	12	8	M4 x 5	0,488
623 008 006	623 890 086	623 880 086	623 990 086	8	16	8	M4 x 6	0,940
623 009 006*	623 890 096*	623 880 096*	623 990 096*	9	18*	10*	M5 x 8	1,51
623 010 006	623 890 106	623 880 106	623 990 106	10	20	10	M5 x 8	1,85
623 011 006	623 890 116	623 880 116	623 990 116	11	20	10	M5 x 8	1,72
623 012 006	623 890 126	623 880 126	623 990 126	12	22	12	M6 x 8	2,52
623 014 006	623 890 146	623 880 146	623 990 146	14	25	12	M6 x 8	3,17
623 015 006	623 890 156	623 880 156	623 990 156	15	25	12	M6 x 8	2,98
623 016 006	623 890 166	623 880 166	623 990 166	16	28	12	M6 x 8	3,84
623 018 006	623 890 186	623 880 186	623 990 186	18	32	14	M6 x 8	6,00
623 020 006	623 890 206	623 880 206	623 990 206	20	32	14	M6 x 8	5,30
623 022 006	623 890 226	623 880 226	623 990 226	22	36	14	M6 x 10	6,90
623 024 006	623 890 246	623 880 246	623 990 246	24	40	16	M8 x 12	10,0
623 025 006	623 890 256	623 880 256	623 990 256	25	40	16	M8 x 10	9,56
623 026 006	623 890 266	623 880 266	623 990 266	26	40	16	M8 x 10	9,05
623 028 006	623 890 286	623 880 286	623 990 286	28	45	16	M8 x 12	12,2
623 030 006	623 890 306	623 880 306	623 990 306	30	45	16	M8 x 10	11,1
623 032 006	623 890 326	623 880 326	623 990 326	32	50	16	M8 x 12	14,5
623 035 006	623 890 356	623 880 356	623 990 356	35	56	16	M8 x 12	18,7
623 036 006	623 890 366	623 880 366	623 990 366	36	56	16	M8 x 12	18,0
623 038 006	623 890 386	623 880 386	623 990 386	38	56	16	M8 x 12	16,7
623 040 006	623 890 406	623 880 406	623 990 406	40	63	18	M10 x 16	26,1
623 042 006	623 890 426	623 880 426	623 990 426	42	63	18	M10 x 16	24,5
623 045 006	623 890 456	623 880 456	623 990 456	45	70	18	M10 x 16	31,7
623 048 006	623 890 486	623 880 486	623 990 486	48	70	18	M10 x 16	28,8
623 050 006	623 890 506	623 880 506	623 990 506	50	80	18	M10 x 16	42,9
623 055 006	623 890 556	623 880 556	623 990 556	55	80	18	M10 x 16	37,3
623 056 006	623 890 566	623 880 566	623 990 566	56	80	18	M10 x 16	36,1
623 060 006	623 890 606	623 880 606	623 990 606	60	90	20	M10 x 16	55,2
623 063 006	623 890 636	623 880 636	623 990 636	63	90	20	M10 x 16	50,8
623 065 006	623 890 656	623 880 656	623 990 656	65	100	20	M10 x 20	70,8
623 070 006	623 890 706	623 880 706	623 990 706	70	100	20	M10 x 20	62,6
623 075 006	623 890 756	623 880 756	623 990 756	75	110	22	2 x M12 x 20	87,1
623 080 006	623 890 806	623 880 806	623 990 806	80	110	22	2 x M12 x 20	76,8
623 085 006	623 890 856	623 880 856	623 990 856	85	125	22	2 x M12 x 25	113,0
623 090 006	623 890 906	623 880 906	623 990 906	90	125	22	2 x M12 x 20	101,0
623 100 006	623 891 006	623 881 006	623 991 006	100	140	25	2 x M12 x 25	147,0

* At size 9, the outer dimensions are not like DIN 705.

Version with slotted screw see page N34. Special sizes and inch-sizes on request.

Note

Like DIN 705 A, the screws have to be screwed in. Up to screw size M10, the set screws must be with slot, as in DIN EN 27434 (ex DIN 553). This version you find on page N34. On this page, also the smaller sizes are with hexagon socket, against DIN 705 A. From M12 (from adjusting ring size 75 mm), the adjusting rings on this page are like DIN, with 2 screws with hexagon socket as in DIN EN ISO 4027 (ex DIN 914), with offset 135° .

All steel rings are supplied with screws from steel strength 45H or 12.9 and stainless steel rings with stainless screws A2-70.