

Angle Joints DIN 71802, zinc-plated, with mounted Sealing Cap

Material: Steel zinc-plated. Ball stud hardened.
With mounted sealing cap from neopren, black.

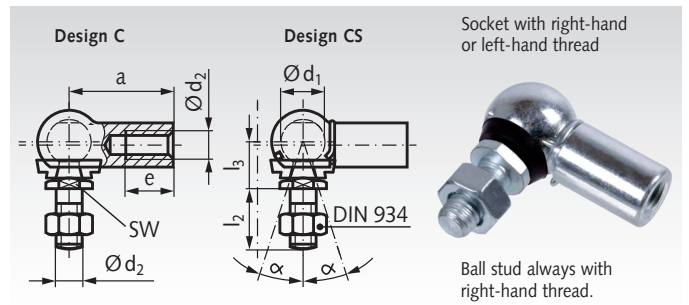
Form C: With threaded bolt and hexagon nut.

Form CS: With threaded bolt, hexagon nut and circlip.

Right = Right-hand thread in the socket.

Left = Left-hand thread in the socket.

Ordering Details: e.g.: Product No. 636 425 00, Angle Joint DIN 71802 with mounted Sealing Cap, C 8, Right-Handed



Product-No. C Righth	Product-No. CS Right	Product-No. C Left	Product-No. CS Left	d ₁ ^{H9/h9} mm	d ₂ mm	SW ^{h14} mm	a ^{±0,3} mm	e mm	l ₂ ^{±3} mm	l ₃ ^{±0,3} mm	α Degrees	CS* Degrees	Weight g
636 425 00	636 625 00	636 525 00	636 725 00	8	M5	7	22	10,2	10,2	9	18°	18°/10°	15,5
636 426 00	636 626 00	636 526 00	636 726 00	10	M6	8	25	11,5	12,5	11	18°	18°/15°	25,6
636 428 00	636 628 00	636 528 00	636 728 00	13	M8	11	30	14	16,5	13	18°	18°/15°	54
636 430 00	636 630 00	636 530 00	636 730 00	16	M10	13	35	15,5	20	16	18°	18°/15°	105
636 434 00	636 634 00	636 534 00	636 734 00	19	M14x1,5	16	45	21,5	28	20	18°	18°/15°	223

* Pivoting angle reduced by circlip.

Angle Joints DIN 71802, Stainless, with mounted Sealing Cap

Material: Stainless steel 1.4301 (AISI 304).
With mounted sealing cap from neopren, black.

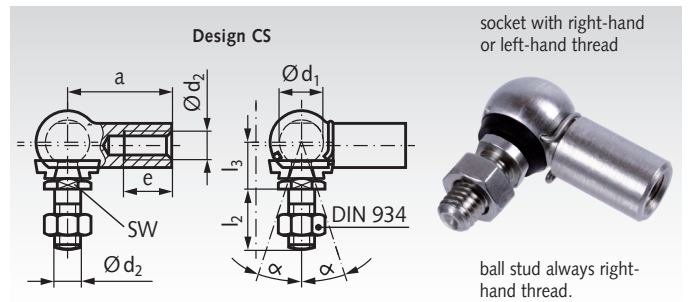


Design CS: With threaded bolt, hexagon nut and circlip.

Right = Right-hand thread in the socket.

Left = Left-hand thread in the socket.

Ordering Details: e.g.: Product No. 636 996 25, Angle Joint DIN 71802 with mounted Sealing Cap, CS 8, Right-Handed, Stainless



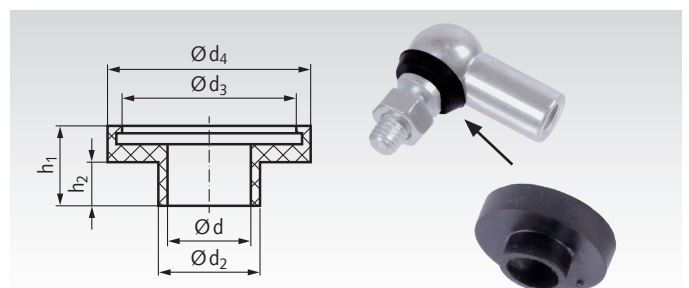
Product-No. CS Righth	Product-No. CS Left	d ₁ ^{H9/h9} mm	d ₂ mm	SW ^{h14} mm	a ^{±0,3} mm	e mm	l ₂ ^{±3} mm	l ₃ ^{±0,3} mm	α* Degrees	Weight g
636 996 25	636 997 25	8	M5	7	22	10,2	10,2	9	18°/10°	15,5
636 996 26	636 997 26	10	M6	8	25	11,5	12,5	11	18°/15°	25,6
636 996 28	636 997 28	13	M8	11	30	14	16,5	13	18°/15°	54
636 996 30	636 997 30	16	M10	13	35	15,5	20	16	18°/15°	105
636 996 34	636 997 34	19	M14x1,5	16	45	21,5	28	20	18°/15°	223

* Pivoting angle reduced by circlip.

Spare Part - Sealing Cap for Angle Joints DIN 71802

Material: Neoprene, black.

The sealing caps have delivered an optimal performance used with joints in very dirty or dusty environment. They also offer good protection against spray water and steam. Temperature range: -30°C to +110°C (short term 140°C).



Ordering Details: e.g.: Product No. 636 775 00, Sealing Cap for d₁ 8 mm

Product No.	for d ₁ DIN 71802 mm	d mm	d ₂ mm	d ₃ mm	d ₄ mm	h ₁ mm	h ₂ mm	Weight p.% Pcs. g
636 775 00	8	4	5,4	9	11,5	4,5	1,5	32
636 776 00	10	5,5	6,9	10,5	13	6,5	3,5	44
636 778 00	13	7	8,6	14	17	7,5	3,5	86
636 780 00	16	9	10,5	17,5	22	8,5	4,5	116
636 782 00	19	11	12,6	21	25,5	12,5	7	215