

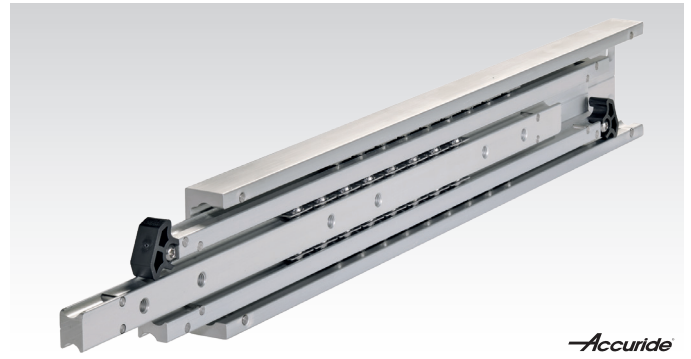
Slides DA 4165, Width 26.5 mm, to 270 kg, Full Extension Two-Way Travel

Material:

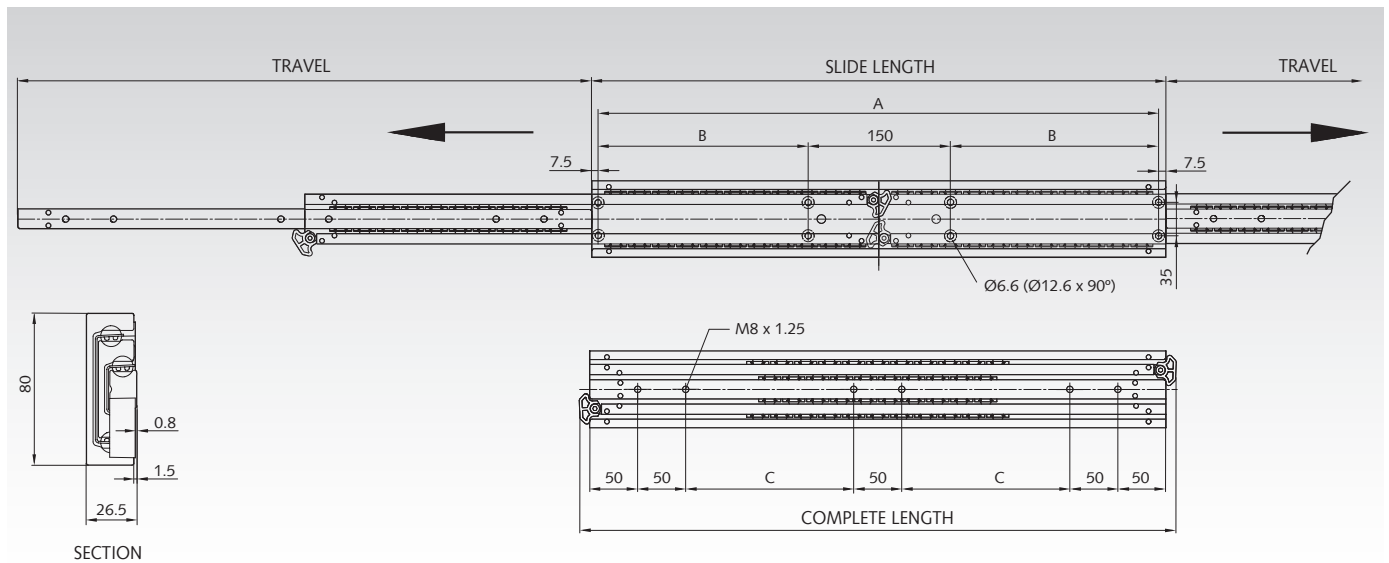
Slide elements: Aluminium, corrosion resistant.
Ball retainers and Balls: Stainless Steel.

Heavy Duty Telescopic ball bearing slides for applications in the industrial and electronics sector.

- Pulls out to front and back. For applications requiring access from both sides of the drawer.
- Very high load capacity up to 270 kg.
- Good corrosion resistance.
- Only for vertical mounting.
- Service life 10,000 cycles.
- Temperature range: -20°C to +70°C.



Ordering details: e.g.: Prod. No. 649 056 40, Slides DA 4165



Product No. per Pair	Complete Length mm	Slide Length mm	Travel +/-3,2 mm	A mm	B mm	C mm	Load Rating per Pair kg	Weight per Pair kg
649 056 40	422	400	400	385	117,5	75	210	3,44
649 056 50	522	500	500	485	167,5	125	270	4,30
649 056 60	622	600	600	585	217,5	175	270	5,18
649 056 70	722	700	700	685	267,5	225	250	6,04
649 056 80	822	800	800	785	317,5	275	245	6,92
649 056 90	922	900	900	885	367,5	325	225	7,80
649 057 00	1022	1000	1000	985	417,5	375	205	8,66

Note

Recommended mounts: M6/M8 screw.
Use all mounting positions to achieve the max. load rating.

Attention: Vertical mounting only.

The load rating is based on slides mounted 600mm apart. These slides are also suitable for wider applications, if the drawer is stiff enough.

End stops have been tested to 10 cycles with the nominated loads at 0.8 m/s. We recommend that additional external stopping arrangements are used.

We recommend that quality grease, rated for extreme pressure, is re-applied at 2000 cycle intervals.