

Single-Strand Roller Chains ANSI DIN ISO 606 (formerly DIN 8188), Premium

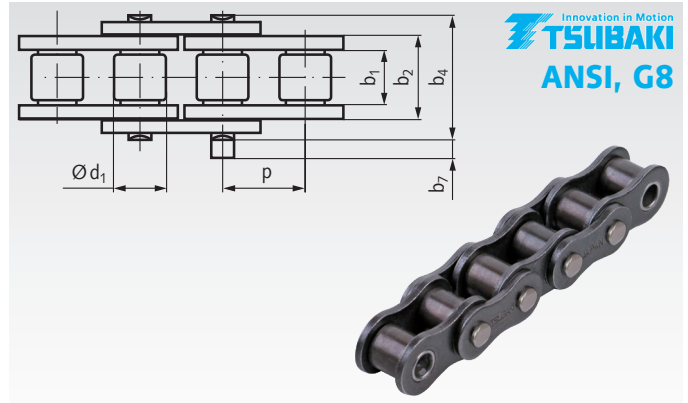
Materials: Special chain steels.

Premium simplex roller chains, developed for low wear. Produced in consistently high quality. From size 40 with seamless bushes. From size 80 with lube groove bushes. Waisted link plates. Dynamically prestretched. Chains are supplied with an uneven number of links, with inner links at both ends. Connecting links with ring coin plate for higher strength.

Temperature range: -10°C to +60°C.

Other temperatures are possible if special grease is used.

Ordering Details: e.g.: Product No. A10060000W, Roller Chain ANSI 25-1, Premium



ANSI / DIN ISO-No. (ASA)	Product No.	Pitch x Inner Width		Inner Width b_2 mm	Roller- $\varnothing d_1$ mm	Pin \varnothing mm	Width over Pin b_4 mm	Projection over Link b_7 mm	Breaking Load min. kN	Weight kg/m
		$p \times b_{1min}$ mm	p inch							
25-1 ¹⁾ (04C-1)	A100 600 00W ¹⁾	6,35 x 3,10	1/4	4,68	3,3	2,31	7,6	0,7	4,12	0,14
35-1 ¹⁾ (06C-1)	A101 000 00W ¹⁾	9,525 x 4,68	3/8	7,28	5,08	3,59	11,7	1,0	9,81	0,33
40-1 (08A-1)	A105 000 00W	12,7 x 7,85	1/2	10,95	7,92	3,97	16,5	1,7	17,7	0,64
50-1 (10A-1)	A106 000 00W	15,875 x 9,40	5/8	13,53	10,16	5,09	20,6	1,6	28,4	1,04
60-1 (12A-1)	A107 000 00W	19,05 x 12,57	3/4	17,5	11,91	5,96	25,7	1,9	40,2	1,53
80-1 ²⁾ (16A-1)	A108 000 00W ²⁾	25,4 x 15,75	1	22,6	15,88	7,94	32,5	3,0	71,6	2,66

¹⁾ Bush chain (without rollers).

²⁾ With lubrication groove bushes.

Please note: Packing Unit 3.05m with 1 Connecting Link
If special lengths are needed, please tell us the length and the number of links (uneven number!). At all special lengths, connecting links have to be ordered separately.

Connecting Links for Single-Strand Roller Chains ANSI DIN ISO 606 (formerly DIN 8188), Premium

Materials: Special chain steels.

Ordering Details: e.g.: Product No. A10060300W, Connecting Link No. 11/E, ANSI 25-1, Premium



No. 11/E: Connecting Link with Spring Clip

No. 10/S: Connecting Link with Cottered Pin

ANSI / DIN ISO No. (ASA)	Product No. Connecting Link No. 11/E	Weight g	Product No. Connecting Link No. 10/S	Weight g
35-1 (06C-1)	A101 003 00W	4	-	-
40-1 (08A-1)	A105 003 00W	9	-	-
50-1 (10A-1)	A106 003 00W	13	-	-
60-1 (12A-1)	A107 003 00W	21	-	-
80-1 (16A-1)	-	-	A108 002 00W	64

Innovation in Motion
TSUBAKI
ANSI, G8