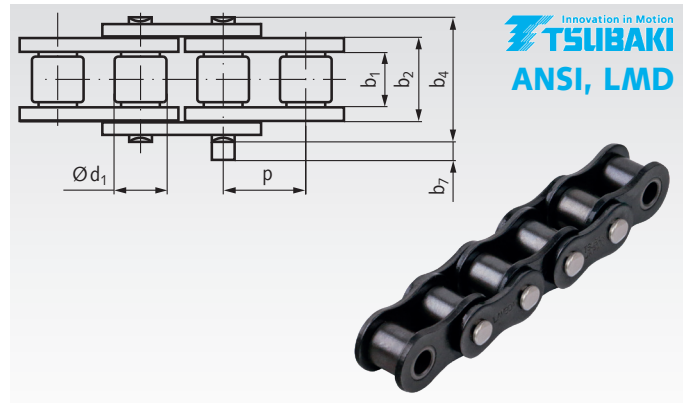


Single-Strand Roller Chains ANSI Lambda DIN ISO 606 (formerly DIN 8188), Self-Lubricating, Premium

Materials: Special chain steels, sinter metal bushes.

Self-lubricating single-strand roller chain in premium quality. Sinter metal bushes, filled with NSF-H1 high-performance lubricate. Special treated pins. Dynamically prestretched. Waisted link plates. Chains are supplied with an uneven number of links, with inner links at both ends. Connecting links with ring coin plate for higher strength.

Temperature range: -10° to +150°C.



Innovation in Motion
TSUBAKI
ANSI, LMD

Ordering Details: e.g.: Product No. A10577000L, Roller Chain ANSI 40, Lambda-1

ANSI / DIN ISO-No. (ASA)	Product No.	Pitch x Inner Width		Inner Width b ₂ ¹⁾ mm	Roller- Ø d ₁ mm	Pin Ø mm	Width over Pin b ₄ ²⁾ mm	Projection over Link b ₇ mm	Breaking Load min. kN	Weight kg/m
		p x b _{1min} mm	p inch							
40-1 (08A-1)	A105 770 00L	12,7 x 7,55	1/2	11,55	7,92	3,97	17,5	1,7	17,7	0,70
50-1 (10A-1)	A106 770 00L	15,875 x 9,26	5/8	14,06	10,16	5,09	21,5	1,7	28,4	1,11
60-1 (12A-1)	A107 770 00L	19,05 x 12,28	3/4	18,68	11,91	5,96	27,4	2	40,2	1,72
80-1 (16A-1)	A108 770 00L	25,4 x 15,48	1	23,48	15,88	7,94	34,3	3,1	71,6	2,77

¹⁾ Slightly wider than specified in the standard.

²⁾ Significantly wider than specified in the standard. For double chain wheels, their usability must be checked.

Please note: Packing Unit 3.05m with 1 Connecting Link

If special lengths are needed, please tell us the length and the number of links (uneven number!). At all special lengths, connecting links have to be ordered separately.

Connecting Links for Single-Strand Roller Chains ANSI Lambda DIN ISO 606 (formerly DIN 8188), Premium

Materials: Special chain steels.

Ordering Details: e.g.: Product No. A10577003L, Connecting Link No. 11/E, ANSI Lambda 40-1

Innovation in Motion
TSUBAKI
ANSI, LMD



No. 11/E: Connecting Link with Spring Clip

No. 10/S: Connecting Link with Cottered Pin

ANSI / DIN ISO No. (ASA)	Product No. Connecting Link No. 11/E	Weight g	Product No. Connecting Link No. 10/S	Weight g
50-1 (10A-1)	A106 770 03L	13	-	-
60-1 (12A-1)	A107 770 03L	21	-	-
80-1 (16A-1)	-	-	A108 770 02L	66