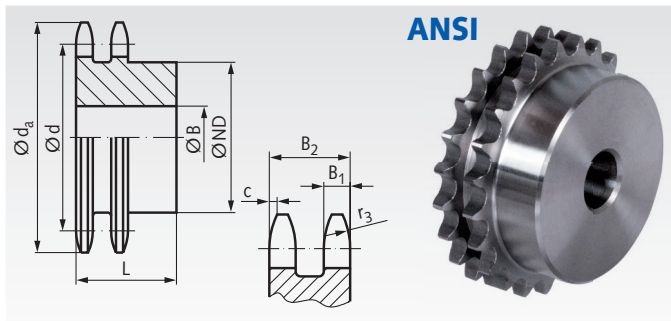


## Double-Strand Sprockets ZRS with One-Sided Hub, ANSI 35-2



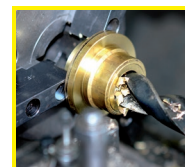
**Material:** Steel C45, not hardened.  
Pre-bored.

Ordering Details: e.g.: Product No. A12111300, ZRS, ANSI 35-2, 13 Teeth

### ANSI 35-2 (ASA 06 C-2), Pitch 3/8"

$B_1 = 4.3$  mm,  $B_2 = 14.4$  mm,  $c = 1.2$  mm,  $r_3 = 10$  mm

Product No.	Number of teeth	$d_a$ mm	$d$ mm	ND mm	B mm	L mm	Weight g
A121 113 00	13	44,9	39,80	28	10	25	144
A121 114 00	14	47,9	42,80	31	10	25	174
A121 116 00	16	54,0	48,82	37	12	30	275
A121 117 00	17	57,0	51,84	40	12	30	321
A121 119 00	19	63,1	57,87	46	12	30	423
A121 120 00	20	66,1	60,89	49	12	30	479
A121 121 00	21	69,2	63,91	52	16	30	518
A121 122 00	22	72,2	66,93	55	16	30	580
A121 124 00	24	78,3	72,97	61	16	30	715
A121 125 00	25	81,3	76,00	64	16	30	788



Reworking within  
24h-service possible.  
Custom made parts  
on request.