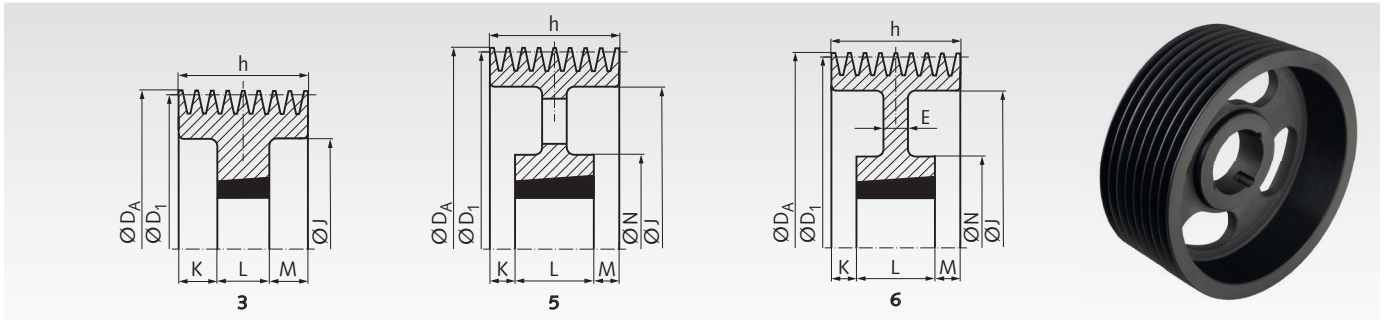


V-Belt Pulleys for Taper Bushes, Profile Z, SPZ and XPZ (10), 8 Grooves



Material: cast iron EN-GJL-250, phosphated.

V-belt pulleys for taper bushes, for easy and fast mounting. The taper bush has to be ordered separately.

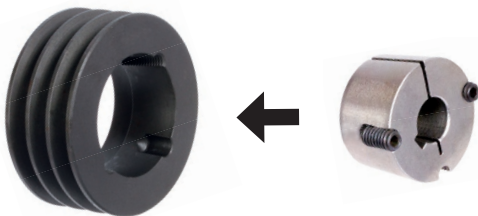
Regarding DIN 2211, DIN 2217 and ISO 4183, matching to classical V-belts DIN 2215 and narrow V-belts DIN 7753-1 / ISO 4184. Also suitable for V-belts 3V/9N according to ARPM/MPTA. The nominal diameter D_1 is the datum diameter.

Ordering Details: e.g.: Product No. MAE 151-Z-8-140, V-Belt Pulley for Taper Clamping Bush, Profile Z, 8 Grooves, Nominal Diameter 140 mm

Product No. Profile Z, SPZ, XPZ	No. of Grooves	Nominal Ø		Design	fitting Bush No.	Bore mm	E mm	h mm	J mm	K mm	L mm	M mm	N mm	Weight kg
		D_1 mm	D_A mm											
MAE 151-Z-8-140	8	140	144	3	2517	15 - 65	-	100	111	27,5	45	27,5	-	4,5
MAE 151-Z-8-150	8	150	154	3	2517	15 - 65	-	100	121	27,5	45	27,5	-	5,5
MAE 151-Z-8-160	8	160	164	3	2517	15 - 65	-	100	131	27,5	45	27,5	-	6,3
MAE 151-Z-8-180	8	180	184	3	2517	15 - 65	-	100	151	27,5	45	27,5	-	8,4
MAE 151-Z-8-200	8	200	204	3	3020	20 - 75	-	100	171	24,5	51	24,5	-	9,8
MAE 151-Z-8-224	8	224	228	3	3020	20 - 75	-	100	195	24,5	51	24,5	-	13,5
MAE 151-Z-8-250	8	250	254	6	3020	20 - 75	20	100	221	24,5	51	24,5	146	11,8
MAE 151-Z-8-280	8	280	284	6	3020	20 - 75	20	100	251	24,5	51	24,5	146	13,0
MAE 151-Z-8-355	8	355	359	5	3030	30 - 75	-	100	326	12,5	76	12,5	146	18,0
MAE 151-Z-8-400	8	400	404	5	3030	30 - 75	-	100	371	12,5	76	12,5	146	21,9
MAE 151-Z-8-450	8	450	454	5	3535	30 - 90	-	100	421	5,5	89	5,5	175	29,8

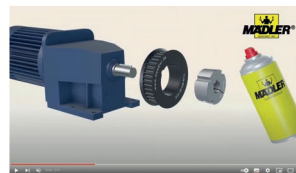
Taper Bushes

The bushes are available with various outer dimensions. For every outside measure there are bushes with many different bores available. They can be used with and without key.



Mounting

Videos are available on our homepage and on YouTube. The instructions are available as a PDF file in the online shop and on paper in the scope of delivery of the bush.



- D** www.maedler.de
- A** www.maedler.at
- CH** www.maedler.ch