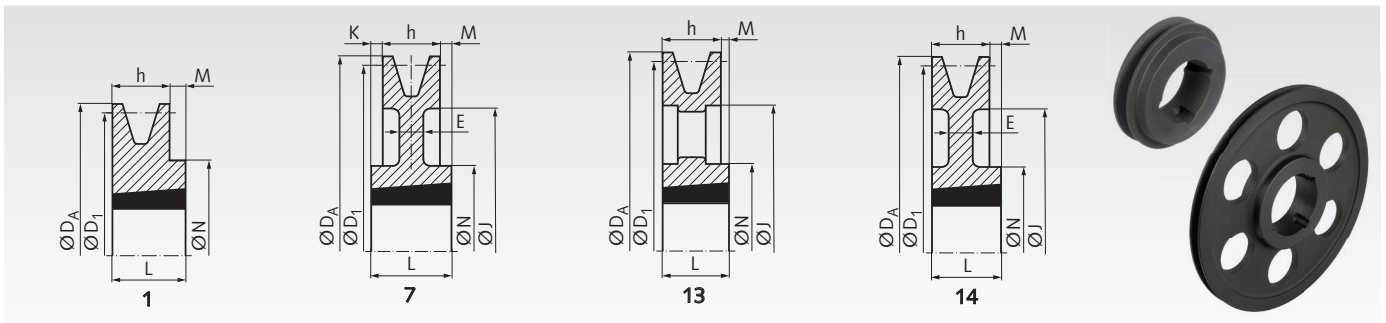


## V-Belt Pulleys for Taper Bushes, Profile A, SPA and XPA (13), 1 Groove



**Material:** cast iron EN-GJL-250, phosphated.

V-belt pulleys for taper bushes, for easy and fast mounting. The taper bush has to be ordered separately.

Regarding DIN 2211, DIN 2217 and ISO 4183, matching to classical V-belts DIN 2215 and narrow V-belts DIN 7753-1 / ISO 4184. The nominal diameter  $D_1$  is the datum diameter.

**Ordering Details:** e.g.: Product No. MAE 151-A-1-63, V-Belt Pulley for Taper Clamping Bush, Profile A, 1 Groove, Nominal Diameter 63 mm

Product No. Profile A, SPA, XPA	No. of Grooves	Nominal Ø		Design	fitting Bush No.	Bore mm	E mm	h mm	J mm	K mm	L mm	M mm	N mm	Weight kg
		$D_1$ mm	$D_A$ mm											
MAE 151-A-1-63	1	63 <sup>1)</sup>	68,5	1	1008	9 - 25	-	20	-	-	22	2	56	0,28
MAE 151-A-1-67	1	67 <sup>1)</sup>	72,5	1	1108	9 - 28	-	20	-	-	22	2	56	0,29
MAE 151-A-1-71	1	71 <sup>2)</sup>	76,5	1	1108	9 - 28	-	20	-	-	22	2	60	0,35
MAE 151-A-1-75	1	75 <sup>2)</sup>	80,5	1	1108	9 - 28	-	20	-	-	22	2	56	0,42
MAE 151-A-1-80	1	80 <sup>2)</sup>	85,5	1	1210	10 - 32	-	20	-	-	25	5	75	0,48
MAE 151-A-1-85	1	85 <sup>2)</sup>	90,5	1	1210	10 - 32	-	20	-	-	25	5	80	0,59
MAE 151-A-1-90	1	90	95,5	1	1210	10 - 32	-	20	-	-	25	5	80	0,67
MAE 151-A-1-95	1	95	100,5	1	1210	10 - 32	-	20	-	-	25	5	85	0,77
MAE 151-A-1-100	1	100	105,5	1	1610	12 - 42	-	20	-	-	25	5	85	0,75
MAE 151-A-1-106	1	106	111,5	1	1610	12 - 42	-	20	-	-	25	5	92	0,92
MAE 151-A-1-112	1	112	117,5	1	1610	12 - 42	-	20	-	-	25	5	92	1,07
MAE 151-A-1-118	1	118	123,5	1	1610	12 - 42	-	20	-	-	25	5	92	1,22
MAE 151-A-1-125	1	125	130,5	1	1610	12 - 42	-	20	-	-	25	5	92	1,19
MAE 151-A-1-132	1	132	137,5	1	1610	12 - 42	-	20	-	-	25	5	92	1,59
MAE 151-A-1-140	1	140	145,5	1	1610	12 - 42	-	20	-	-	25	5	92	1,86
MAE 151-A-1-150	1	150	155,5	1	1610	12 - 42	-	20	-	-	25	5	92	2,15
MAE 151-A-1-160	1	160	165,5	1	1610	12 - 42	-	20	-	-	25	5	92	2,30
MAE 151-A-1-170	1	170	175,5	1	1610	12 - 42	-	20	-	-	25	5	92	2,08
MAE 151-A-1-180	1	180	185,5	14	1610	12 - 42	6	20	145	-	25	5	92	2,20
MAE 151-A-1-190	1	190	195,5	14	1610	12 - 42	6	20	156	-	25	5	92	2,30
MAE 151-A-1-200	1	200	205,5	14	2012	12 - 50	6	20	165	-	32	12	108	2,83
MAE 151-A-1-212	1	212	217,5	14	2012	12 - 50	10	20	177	-	32	12	110	3,38
MAE 151-A-1-224	1	224	229,5	14	2012	12 - 50	10	20	189	-	32	12	112	3,56
MAE 151-A-1-236	1	236	241,5	14	2012	12 - 50	10	20	202	-	32	12	112	3,63
MAE 151-A-1-250	1	250	255,5	7	2012	12 - 50	10	20	215	6	32	6	112	3,64
MAE 151-A-1-280	1	280	285,5	14	2012	12 - 50	10	20	245	-	32	12	112	4,04
MAE 151-A-1-300	1	300	305,5	14	2012	12 - 50	12	20	265	-	32	12	112	4,37
MAE 151-A-1-315	1	315	320,5	14	2012	12 - 50	12	20	280	-	32	12	112	4,43
MAE 151-A-1-355	1	355	360,5	13	2012	12 - 50	-	20	320	-	32	12	112	5,62
MAE 151-A-1-400	1	400	405,5	13	2012	12 - 50	-	20	365	-	32	12	112	5,82
MAE 151-A-1-450	1	450	455,5	13	2012	12 - 50	-	20	415	-	32	12	112	7,26
MAE 151-A-1-500	1	500	505,5	13	2517	15 - 65	-	20	465	-	45	25	124	9,27
MAE 151-A-1-630	1	630	635,5	13	2517	15 - 65	-	20	595	-	45	25	124	13,91

<sup>1)</sup> Not for V-belts SPA and XPA.

<sup>2)</sup> Not for V-belts SPA.

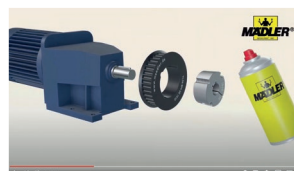
### Taper Bushes

The bushes are available with various outer dimensions. For every outside measure there are bushes with many different bores available. They can be used with and without key.



### Mounting

Videos are available on our homepage and on YouTube. The instructions are available as a PDF file in the online shop and on paper in the scope of delivery of the bush.



**D** [www.maedler.de](http://www.maedler.de)  
**A** [www.maedler.at](http://www.maedler.at)  
**CH** [www.maedler.ch](http://www.maedler.ch)