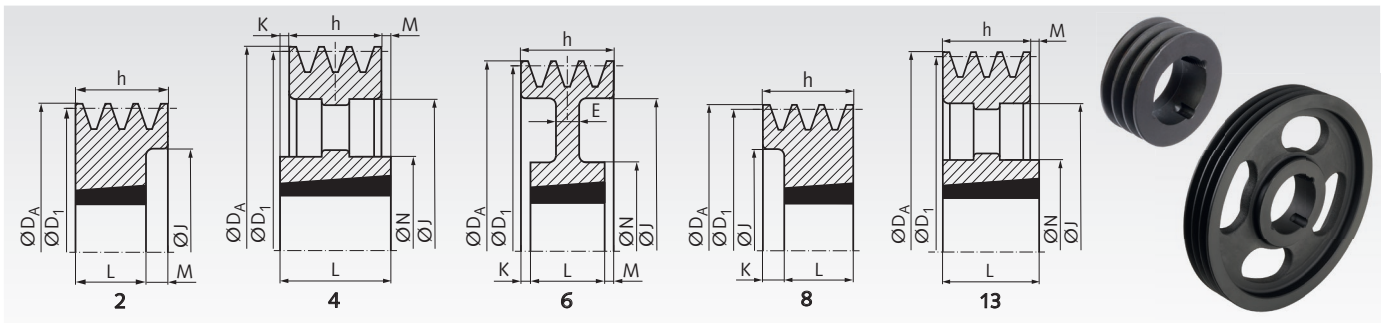


## V-Belt Pulleys for Taper Bushes, Profile A, SPA and XPA (13), 3 Grooves



**Material:** cast iron EN-GJL-250, phosphated.

V-belt pulleys for taper bushes, for easy and fast mounting. The taper bush has to be ordered separately.

Regarding DIN 2211, DIN 2217 and ISO 4183, matching to classical V-belts DIN 2215 and narrow V-belts DIN 7753-1 / ISO 4184. The nominal diameter  $D_1$  is the datum diameter.

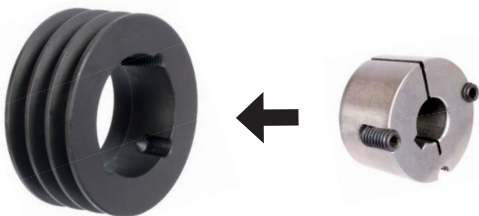
**Ordering Details:** e.g.: Product No. MAE 151-A-3-71, V-Belt Pulley for Taper Clamping Bush, Profile A, 3 Grooves, Nominal Diameter 71 mm

Product No. Profile A, SPA, XPA	No. of Grooves	Nominal Ø		Design	fitting Bush No.	Bore mm	E mm	h mm	J mm	K mm	L mm	M mm	N mm	Weight kg
		$D_1$ mm	$D_A$ mm											
MAE 151-A-3-71	3	71 <sup>1)</sup>	76,5	8	1108	9 - 28	-	50	40	28	22	-	-	0,80
MAE 151-A-3-75	3	75 <sup>1)</sup>	80,5	8	1108	9 - 28	-	50	44	28	22	-	-	1,00
MAE 151-A-3-80	3	80 <sup>1)</sup>	85,5	8	1210	10 - 32	-	50	50	25	25	-	-	0,84
MAE 151-A-3-85	3	85 <sup>1)</sup>	90,5	8	1210	10 - 32	-	50	55	25	25	-	-	0,99
MAE 151-A-3-90	3	90	95,5	8	1610	12 - 42	-	50	59	25	25	-	-	1,03
MAE 151-A-3-95	3	95	100,5	8	1610	12 - 42	-	50	63	25	25	-	-	1,18
MAE 151-A-3-100	3	100	105,5	2	1610	12 - 42	-	50	66	-	25	25	-	1,30
MAE 151-A-3-106	3	106	111,5	2	1610	12 - 42	-	50	72	-	25	25	-	1,55
MAE 151-A-3-112	3	112	117,5	8	2012	12 - 50	-	50	78	18	32	-	-	1,54
MAE 151-A-3-118	3	118	123,5	2	2012	12 - 50	-	50	84	-	32	18	-	1,80
MAE 151-A-3-125	3	125	130,5	2	2012	12 - 50	-	50	91	-	32	18	-	2,22
MAE 151-A-3-132	3	132	137,5	2	2012	12 - 50	-	50	98	-	32	18	-	2,52
MAE 151-A-3-140	3	140	145,5	8	2517	15 - 65	-	50	106	5	45	-	-	2,88
MAE 151-A-3-150	3	150	155,5	8	2517	15 - 65	-	50	116	5	45	-	-	3,60
MAE 151-A-3-160	3	160	165,5	8	2517	15 - 65	-	50	125	5	45	-	-	4,50
MAE 151-A-3-170	3	170	175,5	8	2517	15 - 65	-	50	135	5	45	-	-	5,11
MAE 151-A-3-180	3	180	185,5	8	2517	15 - 65	-	50	146	5	45	-	-	6,03
MAE 151-A-3-190	3	190	195,5	8	2517	15 - 65	-	50	156	5	45	-	-	6,94
MAE 151-A-3-200	3	200	205,5	6	2517	15 - 65	20	50	165	2,5	45	2,5	123	6,12
MAE 151-A-3-212	3	212	217,5	6	2517	15 - 65	20	50	177	2,5	45	2,5	123	6,71
MAE 151-A-3-224	3	224	229,5	6	2517	15 - 65	20	50	189	2,5	45	2,5	124	7,50
MAE 151-A-3-236	3	236	241,5	6	2517	15 - 65	20	50	202	2,5	45	2,5	124	6,98
MAE 151-A-3-250	3	250	255,5	6	2517	15 - 65	20	50	215	2,5	45	2,5	124	7,33
MAE 151-A-3-280	3	280	285,5	6	2517	15 - 65	20	50	245	2,5	45	2,5	124	7,56
MAE 151-A-3-300	3	300	305,5	4	3020	20 - 75	-	50	265	0,5	51	0,5	146	9,78
MAE 151-A-3-315	3	315	320,5	4	3020	20 - 75	-	50	280	0,5	51	0,5	159	10,1
MAE 151-A-3-355	3	355	360,5	4	3020	20 - 75	-	50	320	0,5	51	0,5	159	10,7
MAE 151-A-3-400	3	400	405,5	13	3020	20 - 75	-	50	365	-	51	1	159	14,1
MAE 151-A-3-450	3	450	455,5	13	3020	20 - 75	-	50	415	-	51	1	159	18,6
MAE 151-A-3-500	3	500	505,5	13	3020	20 - 75	-	50	465	-	51	1	159	19,5
MAE 151-A-3-560	3	560	565,5	13	3020	20 - 75	-	50	525	-	51	1	150	22,1
MAE 151-A-3-630	3	630	635,5	13	3020	20 - 75	-	50	595	-	51	1	150	24,8
MAE 151-A-3-800	3	800	805,5	4	3535	30 - 90	-	50	765	19,5	89	19,5	175	39,2
MAE 151-A-3-1000	3	1000	1005,5	4	3535	30 - 90	-	50	965	19,5	89	19,5	175	58,0

<sup>1)</sup> Not for V-belts SPA.

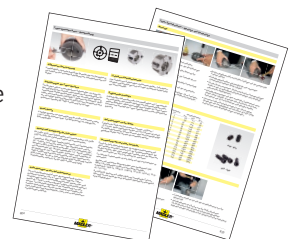
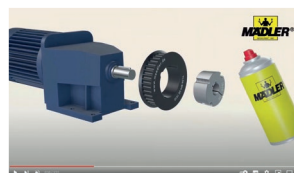
### Taper Bushes

The bushes are available with various outer dimensions. For every outside measure there are bushes with many different bores available. They can be used with and without key.



### Mounting

Videos are available on our homepage and on YouTube. The instructions are available as a PDF file in the online shop and on paper in the scope of delivery of the bush.



**D** [www.maedler.de](http://www.maedler.de)  
**A** [www.maedler.at](http://www.maedler.at)  
**CH** [www.maedler.ch](http://www.maedler.ch)