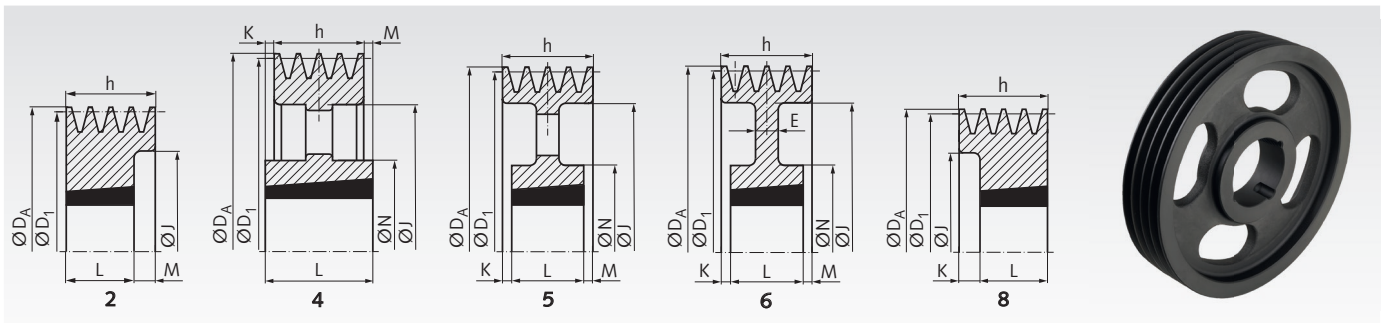


V-Belt Pulleys for Taper Bushes, Profile A, SPA and XPA (13), 4 Grooves



Material: cast iron EN-GJL-250, phosphated.

V-belt pulleys for taper bushes, for easy and fast mounting. The taper bush has to be ordered separately.

Regarding DIN 2211, DIN 2217 and ISO 4183, matching to classical V-belts DIN 2215 and narrow V-belts DIN 7753-1 / ISO 4184. The nominal diameter D_1 is the datum diameter.

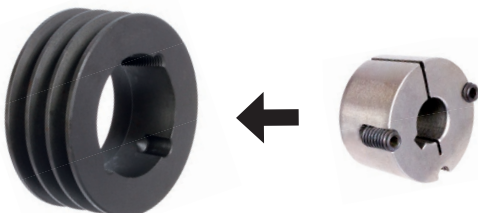
Ordering Details: e.g.: Product No. MAE 151-A-4-80, V-Belt Pulley for Taper Clamping Bush, Profile A, 4 Grooves, Nominal Diameter 80 mm

Product No. Profile A, SPA, XPA	No. of Grooves	Nominal Ø		Design	fitting Bush No.	Bore mm	E mm	h mm	J mm	K mm	L mm	M mm	N mm	Weight kg
		D_1 mm	D_A mm											
MAE 151-A-4-80	4	80 ¹⁾	85,5	8	1215	14 - 28	-	65	49	27	38	-	-	1,08
MAE 151-A-4-90	4	90	95,5	8	1615	12 - 42	-	65	59	27	38	-	-	1,31
MAE 151-A-4-95	4	95	100,5	8	1615	12 - 42	-	65	63	27	38	-	-	1,43
MAE 151-A-4-100	4	100	105,5	2	1615	12 - 42	-	65	66	-	38	27	-	1,71
MAE 151-A-4-106	4	106	111,5	8	2012	12 - 50	-	65	72	33	32	-	-	1,67
MAE 151-A-4-112	4	112	117,5	8	2012	12 - 50	-	65	78	33	32	-	-	1,91
MAE 151-A-4-118	4	118	123,5	2	2012	12 - 50	-	65	84	-	32	33	-	2,21
MAE 151-A-4-125	4	125	130,5	2	2012	12 - 50	-	65	91	-	32	33	-	2,55
MAE 151-A-4-132	4	132	137,5	2	2517	15 - 65	-	65	98	-	45	20	-	2,72
MAE 151-A-4-140	4	140	145,5	2	2517	15 - 65	-	65	106	-	45	20	-	3,34
MAE 151-A-4-150	4	150	155,5	2	2517	15 - 65	-	65	116	-	45	20	-	4,20
MAE 151-A-4-160	4	160	165,5	2	2517	15 - 65	-	65	125	-	45	20	-	5,00
MAE 151-A-4-170	4	170	175,5	2	2517	15 - 65	-	65	135	-	45	20	-	5,63
MAE 151-A-4-180	4	180	185,5	2	2517	15 - 65	-	65	146	-	45	20	-	6,70
MAE 151-A-4-190	4	190	195,5	2	2517	15 - 65	-	65	156	-	45	20	-	7,54
MAE 151-A-4-200	4	200	205,5	2	3020	20 - 75	-	65	165	-	51	14	-	8,30
MAE 151-A-4-212	4	212	217,5	2	3020	20 - 75	-	65	177	-	51	14	-	9,57
MAE 151-A-4-224	4	224	229,5	2	3020	20 - 75	-	65	189	-	51	14	-	11,04
MAE 151-A-4-236	4	236	241,5	6	3020	20 - 75	25	65	202	-	51	14	159	8,88
MAE 151-A-4-250	4	250	255,5	6	3020	20 - 75	20	65	215	7	51	7	159	9,35
MAE 151-A-4-280	4	280	285,5	6	3020	20 - 75	25	65	245	7	51	7	159	11,00
MAE 151-A-4-300	4	300	305,5	6	3020	20 - 75	25	65	265	7	51	7	159	11,70
MAE 151-A-4-315	4	315	320,5	6	3020	20 - 75	25	65	280	7	51	7	159	12,04
MAE 151-A-4-355	4	355	360,5	5	3020	20 - 75	-	65	320	7	51	7	159	12,05
MAE 151-A-4-400	4	400	405,5	5	3020	20 - 75	-	65	365	7	51	7	159	15,90
MAE 151-A-4-450	4	450	455,5	5	3020	20 - 75	-	65	415	7	51	7	159	19,18
MAE 151-A-4-500	4	500	505,5	5	3020	20 - 75	-	65	465	7	51	7	159	18,50
MAE 151-A-4-560	4	560	565,5	4	3535	30 - 90	-	65	525	12	89	12	175	35,00
MAE 151-A-4-630	4	630	635,5	4	3535	30 - 90	-	65	595	12	89	12	175	37,50
MAE 151-A-4-800	4	800	805,5	4	3535	30 - 90	-	65	765	12	89	12	175	41,20
MAE 151-A-4-1000	4	1000	1005,5	4	4040	40 - 100	-	65	965	18,5	102	18,5	210	70,20

¹⁾ Not for V-belts SPA.

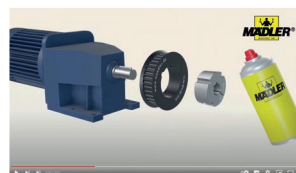
Taper Bushes

The bushes are available with various outer dimensions. For every outside measure there are bushes with many different bores available. They can be used with and without key.



Mounting

Videos are available on our homepage and on YouTube. The instructions are available as a PDF file in the online shop and on paper in the scope of delivery of the bush.



D www.maedler.de
A www.maedler.at
CH www.maedler.ch