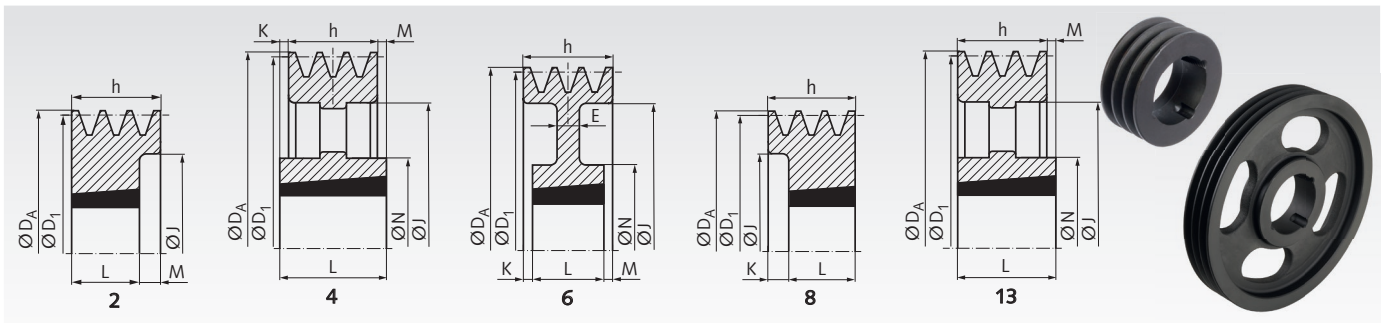


V-Belt Pulleys for Taper Bushes, Profile B, SPB and XPB (17), 3 Grooves



Material: cast iron EN-GJL-250, phosphated.

V-belt pulleys for taper bushes, for easy and fast mounting. The taper bush has to be ordered separately.

Regarding DIN 2211, DIN 2217 and ISO 4183, matching to classical V-belts DIN 2215 and narrow V-belts DIN 7753-1 / ISO 4184. Also suitable for V-belts 5V/15N according to ARPM/MPTA. The nominal diameter D_1 is the datum diameter.

Ordering Details: e.g.: Product No. MAE 151-B-3-100, V-Belt Pulley for Taper Clamping Bush, Profile B, 3 Grooves, Nominal Diameter 100 mm

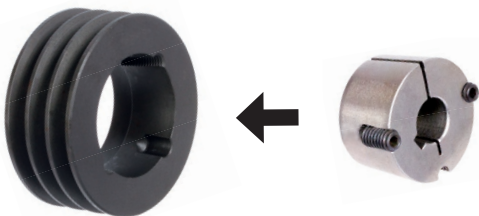
Product No. Profile B, SPB, XPB	No. of Grooves	Nominal Ø		Design	fitting Bush No.	Bore mm	E mm	h mm	J mm	K mm	L mm	M mm	N mm	Weight kg
		D_1 mm	D_A mm											
MAE 151-B-3-100	3	100 ¹⁾	107	8	1610	12 - 42	-	63	62	38	25	-	-	1,3
MAE 151-B-3-106	3	106 ¹⁾	113	8	1610	12 - 42	-	63	67	38	25	-	-	2,0
MAE 151-B-3-112	3	112 ²⁾	119	8	1610	12 - 42	-	63	72	38	25	-	-	2,3
MAE 151-B-3-118	3	118 ²⁾	125	2	1610	12 - 42	-	63	78	-	25	38	-	2,5
MAE 151-B-3-125	3	125 ²⁾	132	2	2012	12 - 50	-	63	82	-	32	31	-	2,5
MAE 151-B-3-132	3	132 ²⁾	139	2	2012	12 - 50	-	63	89	-	32	31	-	3,0
MAE 151-B-3-140	3	140	147	2	2012	12 - 50	-	63	97	-	32	31	-	3,5
MAE 151-B-3-150	3	150	157	2	2517	15 - 65	-	63	107	-	45	18	-	4,0
MAE 151-B-3-160	3	160	167	2	2517	15 - 65	-	63	117	-	45	18	-	4,7
MAE 151-B-3-170	3	170	177	2	2517	15 - 65	-	63	127	-	45	18	-	5,7
MAE 151-B-3-180	3	180	187	2	2517	15 - 65	-	63	137	-	45	18	-	6,6
MAE 151-B-3-190	3	190	197	2	2517	15 - 65	-	63	147	-	45	18	-	7,60
MAE 151-B-3-200	3	200	207	2	2517	15 - 65	-	63	157	-	45	18	-	8,7
MAE 151-B-3-212	3	212	219	6	2517	15 - 65	15	63	169	-	45	18	117	8,1
MAE 151-B-3-224	3	224	231	6	2517	15 - 65	15	63	181	-	45	18	117	9,1
MAE 151-B-3-236	3	236	243	6	2517	15 - 65	15	63	193	-	45	18	117	9,5
MAE 151-B-3-250	3	250	257	6	3020	20 - 75	20	63	207	-	51	12	144	11,0
MAE 151-B-3-280	3	280	287	6	3020	20 - 75	20	63	237	6	51	6	144	11,6
MAE 151-B-3-300	3	300	307	6	3020	20 - 75	20	63	257	6	51	6	144	13,5
MAE 151-B-3-315	3	315	322	6	3020	20 - 75	20	63	272	6	51	6	144	14,5
MAE 151-B-3-335	3	335	342	6	3020	20 - 75	20	63	292	6	51	6	144	16,5
MAE 151-B-3-355	3	355	362	6	3020	20 - 75	15	63	312	6	51	6	144	17,6
MAE 151-B-3-400	3	400	407	4	3535	30 - 90	-	63	357	13	89	13	175	23,3
MAE 151-B-3-450	3	450	457	13	3535	30 - 90	-	63	407	-	89	26	175	26,5
MAE 151-B-3-500	3	500	507	13	3535	30 - 90	-	63	457	-	89	26	175	30,5
MAE 151-B-3-560	3	560	567	13	3535	30 - 90	-	63	517	-	89	26	175	47,0
MAE 151-B-3-630	3	630	637	13	3535	30 - 90	-	63	587	-	89	26	175	35,5
MAE 151-B-3-710	3	710	717	4	3535	30 - 90	-	63	664	13	89	13	175	44,0
MAE 151-B-3-800	3	800	807	4	3535	30 - 90	-	63	754	13	89	13	175	43,0
MAE 151-B-3-900	3	900	907	4	3535	30 - 90	-	63	854	13	89	13	175	54,5
MAE 151-B-3-1000	3	1000	1007	4	4040	40 - 100	-	63	954	19,5	102	19,5	210	78,0
MAE 151-B-3-1250	3	1250	1257	4	4040	40 - 100	-	63	1204	19,5	102	19,5	210	100

1) Not for V-belts SPB, XPB and 5V/15N.

2) Not for V-belts SPB and 5V/15N.

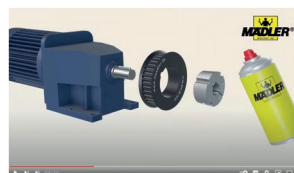
Taper Bushes

The bushes are available with various outer dimensions. For every outside measure there are bushes with many different bores available. They can be used with and without key.



Mounting

Videos are available on our homepage and on YouTube. The instructions are available as a PDF file in the online shop and on paper in the scope of delivery of the bush.



D www.maedler.de
A www.maedler.at
CH www.maedler.ch