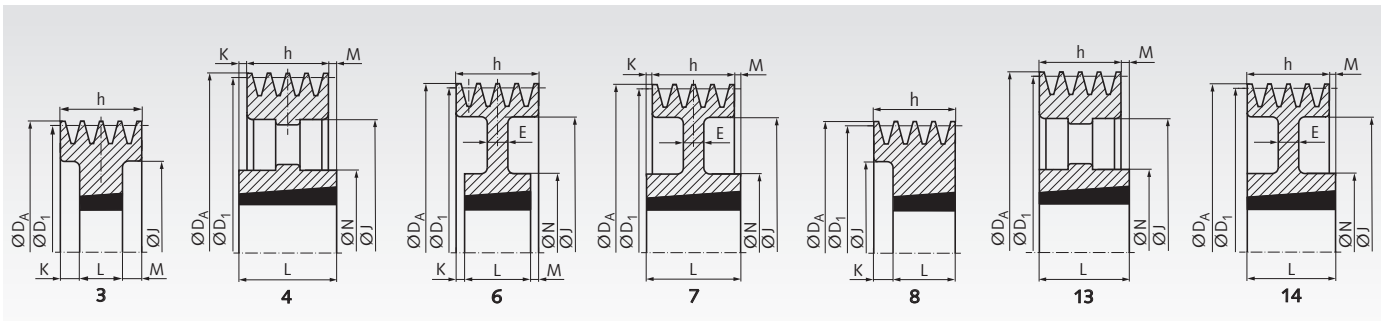


V-Belt Pulleys for Taper Bushes, Profile B, SPB and XPB (17), 4 Grooves



Material: cast iron EN-GJL-250, phosphated.

V-belt pulleys for taper bushes, for easy and fast mounting. The taper bush has to be ordered separately. Regarding DIN 2211, DIN 2217 and ISO 4183, matching to classical V-belts DIN 2215 and narrow V-belts DIN 7753-1 / ISO 4184. Also suitable for V-belts 5V/15N according to ARPM/MPTA. The nominal diameter D_1 is the datum diameter.

Ordering Details: e.g.: Product No. MAE 151-B-4-100, V-Belt Pulley for Taper Clamping Bush, Profile B, 4 Grooves, Nominal Diameter 100 mm



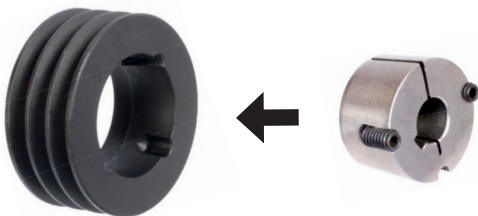
Product No. Profile B, SPB, XPB	No. of Grooves	Nominal Ø		Design	fitting Bush No.	Bore mm	E mm	h mm	J mm	K mm	L mm	M mm	N mm	Weight kg
		D_1 mm	D_A mm											
MAE 151-B-4-100	4	100 ¹⁾	107	8	1615	12 - 42	-	82	60	44	38	-	-	2,3
MAE 151-B-4-112	4	112 ²⁾	119	8	2012	12 - 42	-	82	72	50	32	-	-	2,55
MAE 151-B-4-118	4	118 ²⁾	125	8	1610	12 - 42	-	82	75	57	25	-	-	3,2
MAE 151-B-4-125	4	125 ²⁾	132	3	2012	12 - 50	-	82	82	25	32	25	-	3,2
MAE 151-B-4-132	4	132 ²⁾	139	3	2012	12 - 50	-	82	89	25	32	25	-	3,3
MAE 151-B-4-140	4	140	147	3	2517	15 - 65	-	82	100	18,5	45	18,5	-	3,8
MAE 151-B-4-150	4	150	157	3	2517	15 - 65	-	82	107	18,5	45	18,5	-	4,8
MAE 151-B-4-160	4	160	167	3	2517	15 - 65	-	82	117	18,5	45	18,5	-	5,7
MAE 151-B-4-170	4	170	177	3	2517	15 - 65	-	82	127	18,5	45	18,5	-	5,6
MAE 151-B-4-180	4	180	187	3	2517	15 - 65	-	82	137	18,5	45	18,5	-	7,4
MAE 151-B-4-190	4	190	197	3	2517	15 - 65	-	82	147	18,5	45	18,5	-	8,6
MAE 151-B-4-200	4	200	207	3	3020	20 - 75	-	82	157	15,5	51	15,5	-	9,2
MAE 151-B-4-212	4	212	219	3	3020	20 - 75	-	82	169	15,5	51	15,5	-	10,8
MAE 151-B-4-224	4	224	231	3	3020	20 - 75	-	82	181	15,5	51	15,5	-	12,4
MAE 151-B-4-236	4	236	243	3	3020	20 - 75	-	82	193	15,5	51	15,5	-	14,0
MAE 151-B-4-250	4	250	257	6	3020	20 - 75	25	82	207	15,5	51	15,5	144	12,9
MAE 151-B-4-280	4	280	287	6	3020	20 - 75	25	82	237	15,5	51	15,5	144	12,8
MAE 151-B-4-300	4	300	307	14	3535	30 - 90	25	82	257	-	89	7	175	19,5
MAE 151-B-4-315	4	315	322	7	3535	30 - 90	25	82	272	3,5	89	3,5	175	22,0
MAE 151-B-4-335	4	335	342	7	3535	30 - 90	25	82	292	3,5	89	3,5	175	24,4
MAE 151-B-4-355	4	355	362	7	3535	30 - 90	25	82	312	3,5	89	3,5	175	24,0
MAE 151-B-4-400	4	400	407	4	3535	30 - 90	-	82	357	3,5	89	3,5	175	27,2
MAE 151-B-4-450	4	450	457	13	3535	30 - 90	-	82	407	-	89	7	175	33
MAE 151-B-4-500	4	500	507	13	3535	30 - 90	-	82	457	-	89	7	175	33
MAE 151-B-4-560	4	560	567	13	3535	30 - 90	-	82	517	-	89	7	175	39,7
MAE 151-B-4-630	4	630	637	13	3535	30 - 90	-	82	587	-	89	7	175	46
MAE 151-B-4-710	4	710	717	4	3535	30 - 90	-	82	664	3,5	89	3,5	175	50,2
MAE 151-B-4-800	4	800	807	4	4040	40 - 100	-	82	754	10	102	10	210	68
MAE 151-B-4-900	4	900	907	4	4040	40 - 100	-	82	854	10	102	10	210	67
MAE 151-B-4-1000	4	1000	1007	4	4040	40 - 100	-	82	954	10	102	10	210	98,5
MAE 151-B-4-1250	4	1250	1257	4	4545	55 - 110	-	82	1204	16	114	16	210	130

¹⁾ Not for V-belts SPB, XPB and 5V/15N.

²⁾ Not for V-belts SPB and 5V/15N.

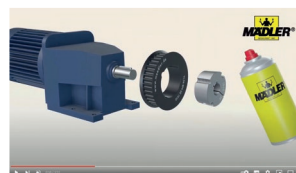
Taper Bushes

The bushes are available with various outer dimensions. For every outside measure there are bushes with many different bores available. They can be used with and without key.



Mounting

Videos are available on our homepage and on YouTube. The instructions are available as a PDF file in the online shop and on paper in the scope of delivery of the bush.



D www.maedler.de
A www.maedler.at
CH www.maedler.ch