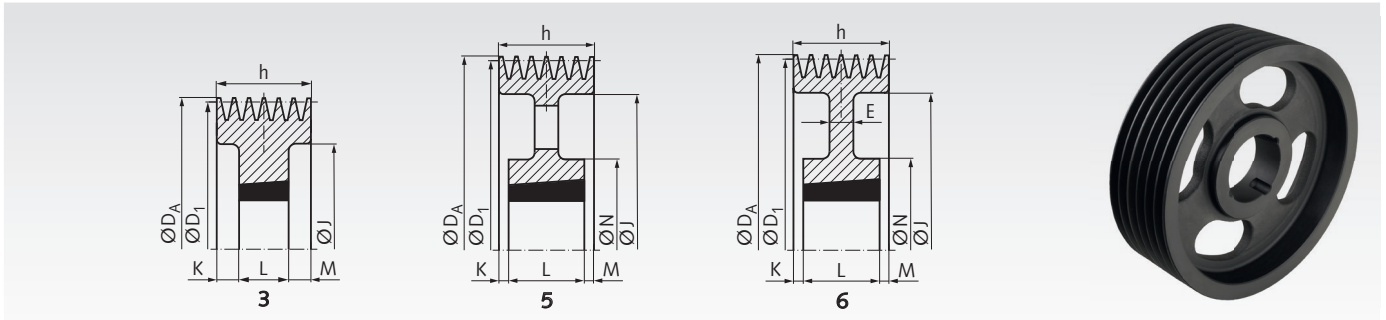


V-Belt Pulleys for Taper Bushes, Profile B, SPB and XPB (17), 6 Grooves



Material: cast iron EN-GJL-250, phosphated.

V-belt pulleys for taper bushes, for easy and fast mounting. The taper bush has to be ordered separately.

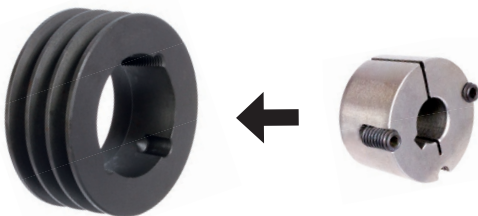
Regarding DIN 2211, DIN 2217 and ISO 4183, matching to classical V-belts DIN 2215 and narrow V-belts DIN 7753-1 / ISO 4184. Also suitable for V-belts 5V/15N according to ARPM/MPTA. The nominal diameter D_1 is the datum diameter.

Ordering Details: e.g.: Product No. MAE 151-B-6-140, V-Belt Pulley for Taper Clamping Bush, Profile B, 6 Grooves, Nominal Diameter 140 mm

Product No. Profile B, SPB, XPB	No. of Grooves	Nominal Ø		Design	fitting Bush No.	Bore mm	E mm	h mm	J mm	K mm	L mm	M mm	N mm	Weight kg
		D_1 mm	D_A mm											
MAE 151-B-6-140	6	140	147	3	2517	15 - 65	-	120	100	37,5	45	37,5	-	5,0
MAE 151-B-6-150	6	150	157	3	2517	15 - 65	-	120	107	37,5	45	37,5	-	6,5
MAE 151-B-6-160	6	160	167	3	3020	20 - 75	-	120	117	34,5	51	34,5	-	5,8
MAE 151-B-6-170	6	170	177	3	3020	20 - 75	-	120	127	34,5	51	34,5	-	7,5
MAE 151-B-6-180	6	180	187	3	3020	20 - 75	-	120	137	34,5	51	34,5	-	8,80
MAE 151-B-6-190	6	190	197	3	3020	20 - 75	-	120	147	34,5	51	34,5	-	9,8
MAE 151-B-6-200	6	200	207	3	3020	20 - 75	-	120	157	34,5	51	34,5	-	11,6
MAE 151-B-6-212	6	212	219	3	3535	30 - 90	-	120	169	15,5	89	15,5	-	15,0
MAE 151-B-6-224	6	224	231	3	3535	30 - 90	-	120	181	15,5	89	15,5	-	18,1
MAE 151-B-6-236	6	236	243	3	3535	30 - 90	-	120	193	15,5	89	15,5	-	21
MAE 151-B-6-250	6	250	257	3	3535	30 - 90	-	120	207	15,5	89	15,5	-	24,2
MAE 151-B-6-280	6	280	287	6	3535	30 - 90	25	120	237	15,5	89	15,5	175	23
MAE 151-B-6-300	6	300	307	6	3535	30 - 90	25	120	257	15,5	89	15,5	175	24,2
MAE 151-B-6-315	6	315	322	6	3535	30 - 90	25	120	272	15,5	89	15,5	175	26,2
MAE 151-B-6-335	6	335	342	6	3535	30 - 90	25	120	292	15,5	89	15,5	175	25
MAE 151-B-6-355	6	355	362	6	3535	30 - 90	25	120	312	15,5	89	15,5	175	28,2
MAE 151-B-6-400	6	400	407	5	3535	30 - 90	-	120	357	15,5	89	15,5	175	32,7
MAE 151-B-6-450	6	450	457	5	4040	40 - 100	-	120	407	-	102	18	210	42
MAE 151-B-6-500	6	500	507	5	4040	40 - 100	-	120	457	-	102	18	210	48
MAE 151-B-6-560	6	560	567	5	4040	40 - 100	-	120	517	-	102	18	210	52,5
MAE 151-B-6-630	6	630	637	5	4040	40 - 100	-	120	587	-	102	18	210	66
MAE 151-B-6-710	6	710	717	5	4040	40 - 100	-	120	664	9	102	9	210	80
MAE 151-B-6-800	6	800	807	5	4545	55 - 110	-	120	754	3	114	3	242	83
MAE 151-B-6-900	6	900	907	5	4545	55 - 110	-	120	854	3	114	3	242	87,5
MAE 151-B-6-1000	6	1000	1007	5	4545	55 - 110	-	120	954	3	114	3	242	126
MAE 151-B-6-1250	6	1250	1257	5	4545	55 - 110	-	120	1204	3	114	3	242	180

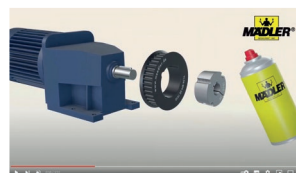
Taper Bushes

The bushes are available with various outer dimensions. For every outside measure there are bushes with many different bores available. They can be used with and without key.



Mounting

Videos are available on our homepage and on YouTube. The instructions are available as a PDF file in the online shop and on paper in the scope of delivery of the bush.



- D** www.maedler.de
- A** www.maedler.at
- CH** www.maedler.ch