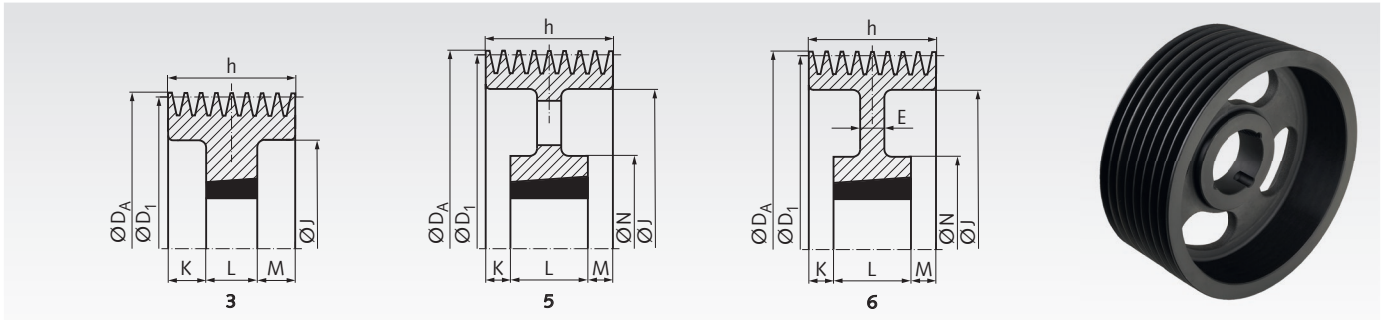


V-Belt Pulleys for Taper Bushes, Profile B, SPB and XPB (17), 8 Grooves



Material: cast iron EN-GJL-250, phosphated.

V-belt pulleys for taper bushes, for easy and fast mounting. The taper bush has to be ordered separately.

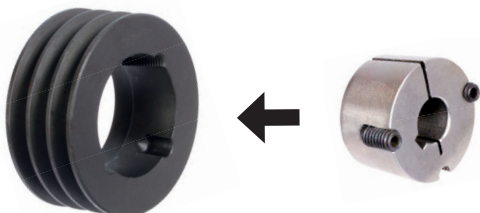
Regarding DIN 2211, DIN 2217 and ISO 4183, matching to classical V-belts DIN 2215 and narrow V-belts DIN 7753-1 / ISO 4184. Also suitable for V-belts 5V/15N according to ARPM/MPTA. The nominal diameter D_1 is the datum diameter.

Ordering Details: e.g.: Product No. MAE 151-B-8-140, V-Belt Pulley for Taper Clamping Bush, Profile B, 8 Grooves, Nominal Diameter 140 mm

Product No. Profile B, SPB, XPB	No. of Grooves	Nominal Ø		Design	fitting Bush No.	Bore mm	E mm	h mm	J mm	K mm	L mm	M mm	N mm	Weight kg
		D_1 mm	D_A mm											
MAE 151-B-8-140	8	140	147	3	2517	15 - 65	-	158	97	56,5	45	56,5	-	6,5
MAE 151-B-8-160	8	160	167	3	3020	20 - 75	-	158	117	53,5	51	53,5	-	7,0
MAE 151-B-8-170	8	170	177	3	3030	30 - 75	-	158	127	41	76	41	-	10,2
MAE 151-B-8-180	8	180	187	3	3030	30 - 75	-	158	137	41	76	41	-	11,4
MAE 151-B-8-190	8	190	197	3	3030	30 - 75	-	158	147	41	76	41	-	13,0
MAE 151-B-8-200	8	200	207	3	3535	30 - 90	-	158	157	34,5	89	34,5	-	14,0
MAE 151-B-8-212	8	212	219	3	3535	30 - 90	-	158	169	34,5	89	34,5	-	17,1
MAE 151-B-8-224	8	224	231	3	3535	30 - 90	-	158	181	34,5	89	34,5	-	17,0
MAE 151-B-8-236	8	236	243	3	3535	30 - 90	-	158	193	34,5	89	34,5	-	23,0
MAE 151-B-8-250	8	250	257	3	3535	30 - 90	-	158	207	34,5	89	34,5	-	26,2
MAE 151-B-8-280	8	280	287	6	3535	30 - 90	25	158	237	34,5	89	34,5	175	26,0
MAE 151-B-8-300	8	300	307	6	3535	30 - 90	25	158	257	34,5	89	34,5	175	28,5
MAE 151-B-8-315	8	315	322	6	3535	30 - 90	25	158	272	34,5	89	34,5	175	30,0
MAE 151-B-8-335	8	335	342	6	3535	30 - 90	25	158	292	34,5	89	34,5	175	33,0
MAE 151-B-8-355	8	355	362	6	3535	30 - 90	25	158	312	34,5	89	34,5	175	34,5
MAE 151-B-8-400	8	400	407	6	4040	40 - 100	30	158	357	28	102	28	210	49,5
MAE 151-B-8-450	8	450	457	5	4040	40 - 100	-	158	407	28	102	28	210	47,5
MAE 151-B-8-500	8	500	507	5	4040	40 - 100	-	158	457	28	102	28	210	54,3
MAE 151-B-8-560	8	560	567	5	4545	55 - 110	-	158	517	22	114	22	242	74,5
MAE 151-B-8-630	8	630	637	5	4545	55 - 110	-	158	587	22	114	22	242	80,0
MAE 151-B-8-710	8	710	717	5	4545	55 - 110	-	158	664	22	114	22	242	103
MAE 151-B-8-800	8	800	807	5	4545	55 - 110	-	158	754	22	114	22	242	117,5
MAE 151-B-8-900	8	900	907	5	4545	55 - 110	-	158	854	22	114	22	242	120,5
MAE 151-B-8-1000	8	1000	1007	5	5050	70 - 125	-	158	954	15,5	127	15,5	267	160
MAE 151-B-8-1250	8	1250	1257	5	5050	70 - 125	-	158	1204	15,5	127	15,5	267	230

Taper Bushes

The bushes are available with various outer dimensions. For every outside measure there are bushes with many different bores available. They can be used with and without key.



Mounting

Videos are available on our homepage and on YouTube. The instructions are available as a PDF file in the online shop and on paper in the scope of delivery of the bush.



- D** www.maedler.de
- A** www.maedler.at
- CH** www.maedler.ch