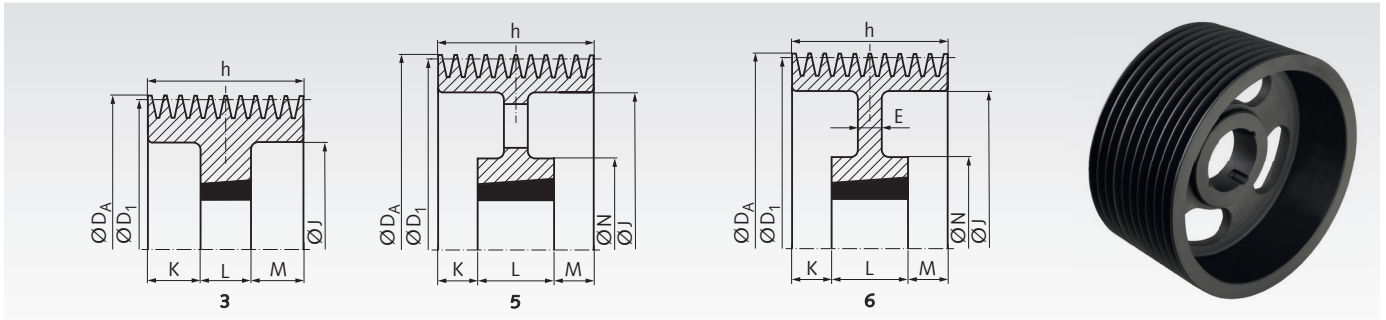


V-Belt Pulleys for Taper Bushes, Profile B, SPB and XPB (17), 10 Grooves



Material: cast iron EN-GJL-250, phosphated.

V-belt pulleys for taper bushes, for easy and fast mounting. The taper bush has to be ordered separately.

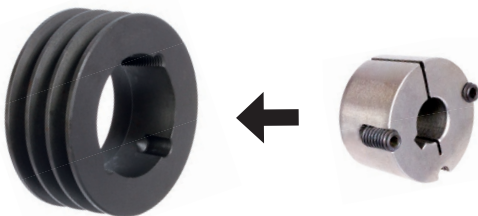
Regarding DIN 2211, DIN 2217 and ISO 4183, matching to classical V-belts DIN 2215 and narrow V-belts DIN 7753-1 / ISO 4184. Also suitable for V-belts 5V/15N according to ARPM/MPTA. The nominal diameter D_1 is the datum diameter.

Ordering Details: e.g.: Product No. MAE 151-B-10-200, V-Belt Pulley for Taper Clamping Bush, Profile B, 10 Grooves, Nominal Diameter 200 mm

Product No. Profile B, SPB, XPB	No. of Grooves	Nominal Ø		Design	fitting Bush No.	Bore mm	E mm	h mm	J mm	K mm	L mm	M mm	N mm	Weight kg
		D_1 mm	D_A mm											
MAE 151-B-10-200	10	200	207	3	3535	30 - 90	-	196	157	53,5	89	53,5	-	16,4
MAE 151-B-10-224	10	224	231	3	3535	30 - 90	-	196	181	53,5	89	53,5	-	24
MAE 151-B-10-236	10	236	243	3	3535	30 - 90	-	196	193	53,5	89	53,5	-	25,5
MAE 151-B-10-250	10	250	257	3	3535	30 - 90	-	196	207	53,5	89	53,5	-	29,5
MAE 151-B-10-280	10	280	287	6	3535	30 - 90	30	196	237	53,5	89	53,5	175	30
MAE 151-B-10-315	10	315	322	6	3535	30 - 90	30	196	272	53,5	89	53,5	175	37
MAE 151-B-10-335	10	335	342	6	4040	40 - 100	30	196	292	47	102	47	210	39,1
MAE 151-B-10-355	10	355	362	6	4040	40 - 100	30	196	312	47	102	47	210	40
MAE 151-B-10-400	10	400	407	6	4040	40 - 100	30	196	357	47	102	47	210	54
MAE 151-B-10-450	10	450	457	5	4545	55 - 110	-	196	407	41	114	41	242	61
MAE 151-B-10-500	10	500	507	5	4545	55 - 110	-	196	457	41	114	41	242	68
MAE 151-B-10-560	10	560	567	5	4545	55 - 110	-	196	517	41	114	41	242	82
MAE 151-B-10-630	10	630	637	5	4545	55 - 110	-	196	587	41	114	41	242	88
MAE 151-B-10-710	10	710	717	5	4545	55 - 110	-	196	664	41	114	41	242	100
MAE 151-B-10-800	10	800	807	5	4545	55 - 110	-	196	754	41	114	41	242	133
MAE 151-B-10-900	10	900	907	5	5050	70 - 125	-	196	854	34,5	127	34,5	267	144
MAE 151-B-10-1000	10	1000	1007	5	5050	70 - 125	-	196	954	34,5	127	34,5	267	185

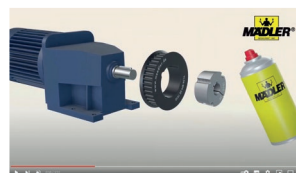
Taper Bushes

The bushes are available with various outer dimensions. For every outside measure there are bushes with many different bores available. They can be used with and without key.



Mounting

Videos are available on our homepage and on YouTube. The instructions are available as a PDF file in the online shop and on paper in the scope of delivery of the bush.



- D** www.maedler.de
- A** www.maedler.at
- CH** www.maedler.ch